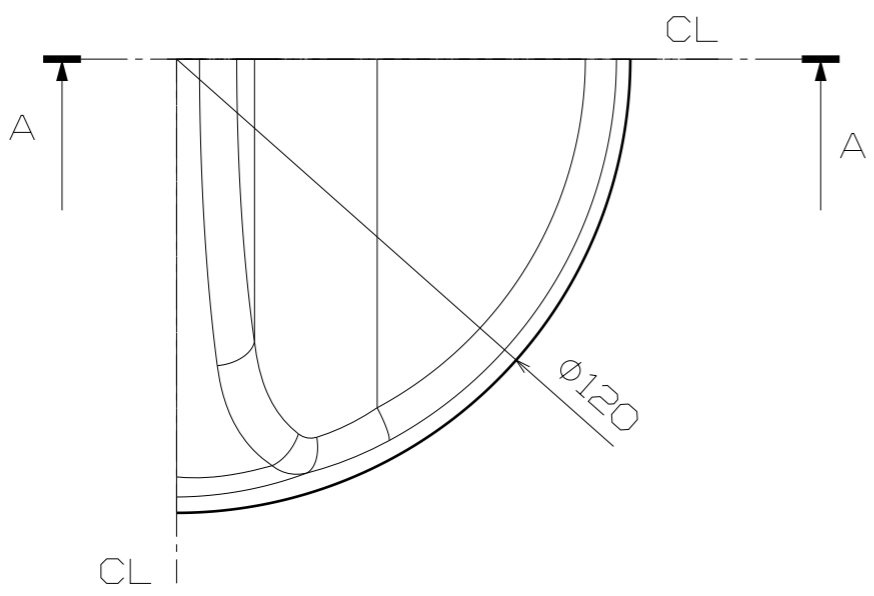
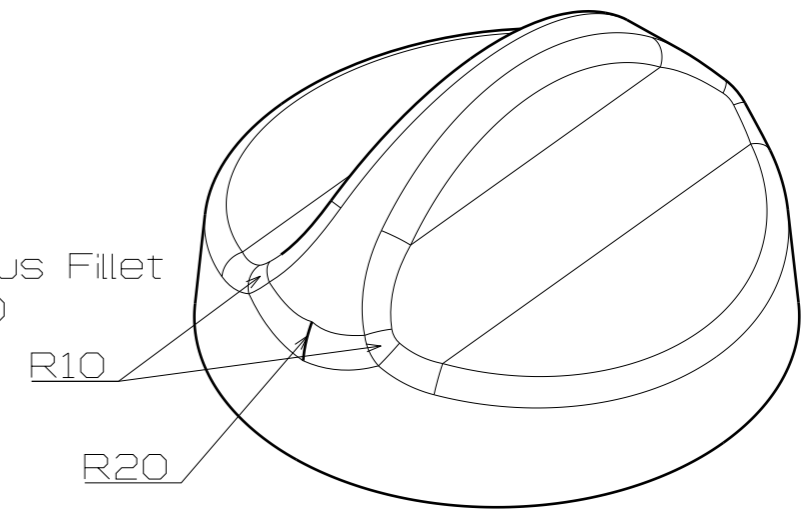


H G F E D C B A

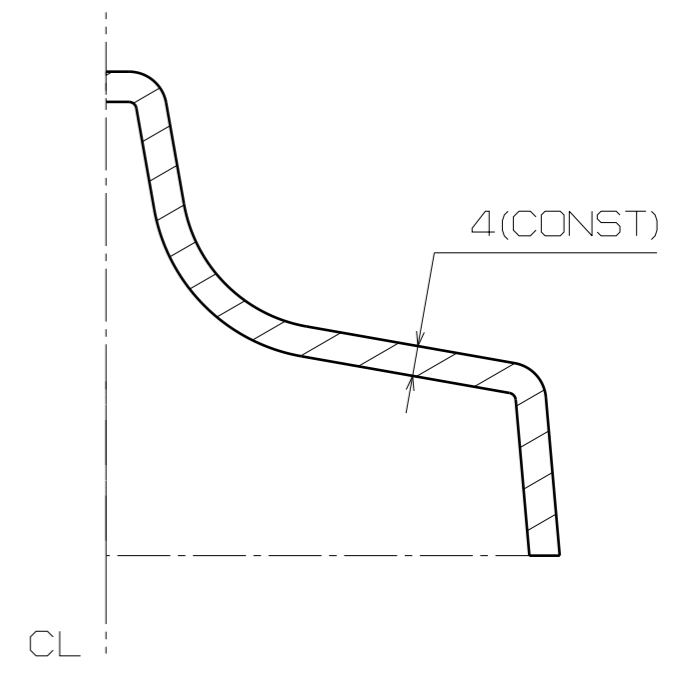
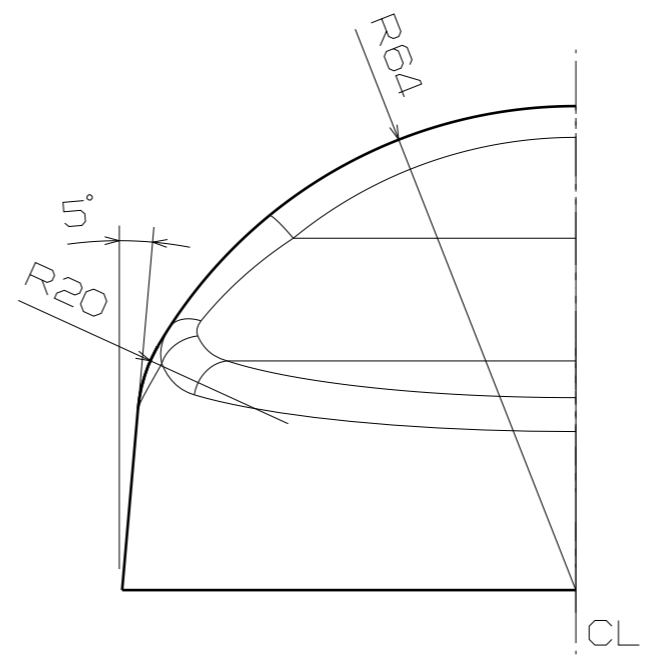
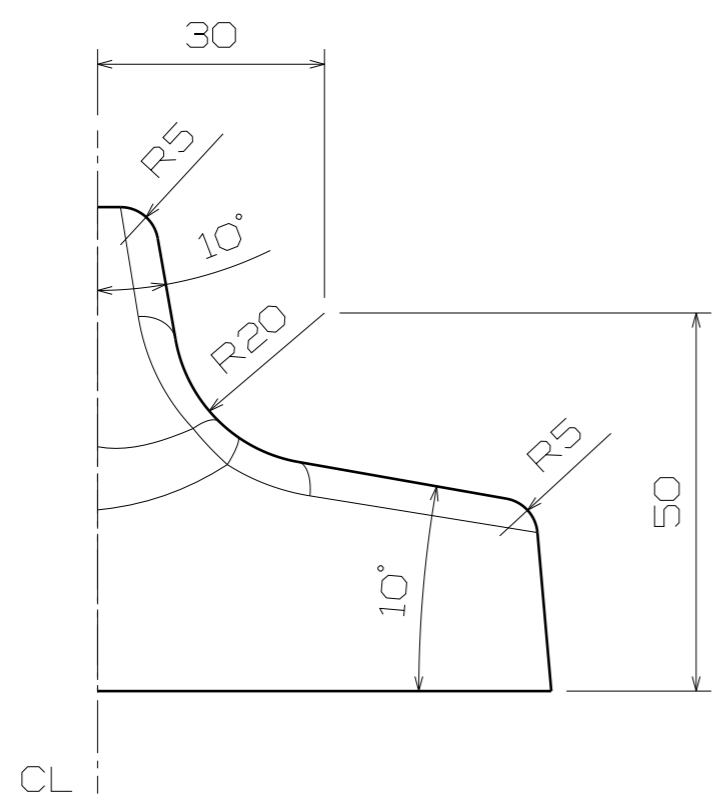
4



Variable Radius Fillet
R10-R20-R10



3



Section Cut A-A

1

H G F E D C B A