

D

C

B

A

4

3

2

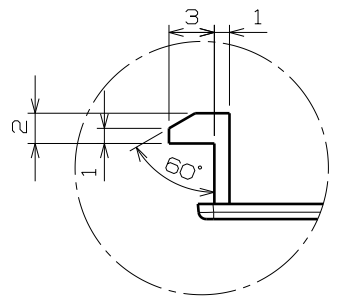
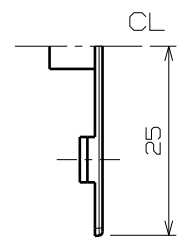
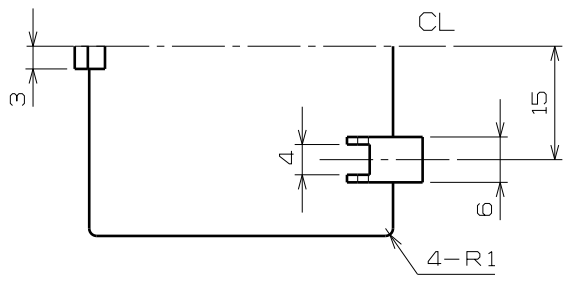
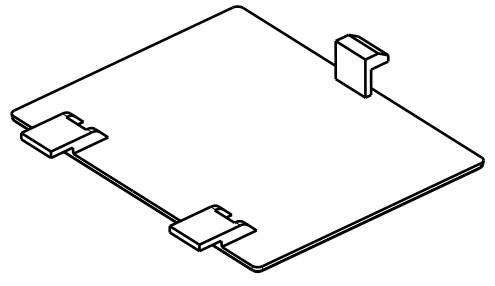
1

4

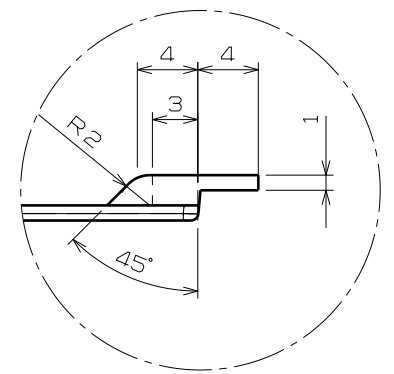
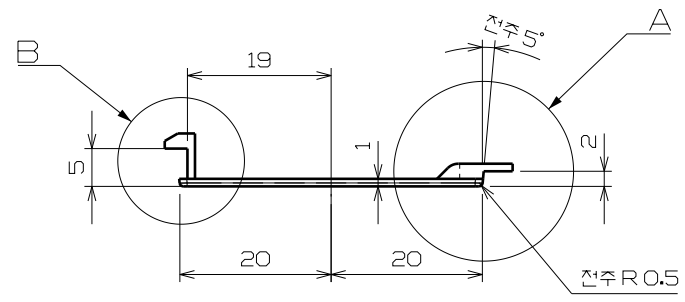
3

2

1



Detail B
Scale 2:1



Detail A
Scale 2:1

D

A

