

D

C

B

A

4

3

2

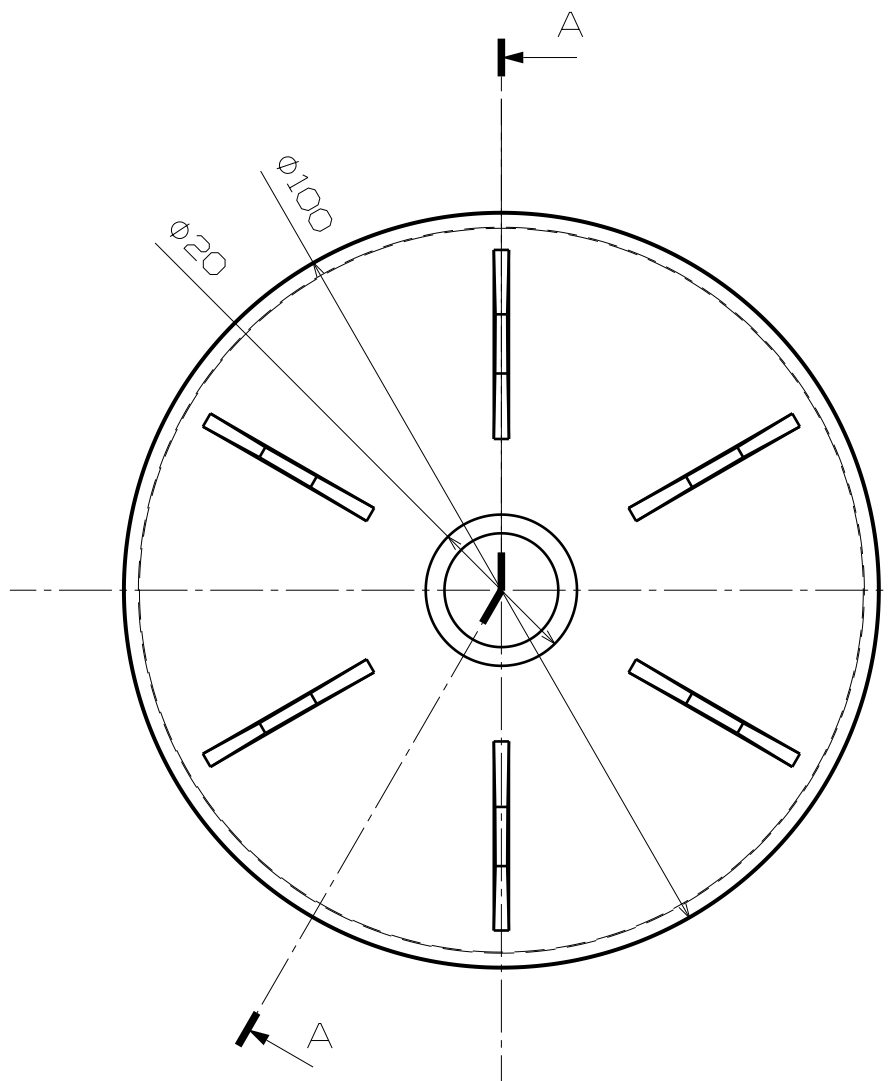
1

4

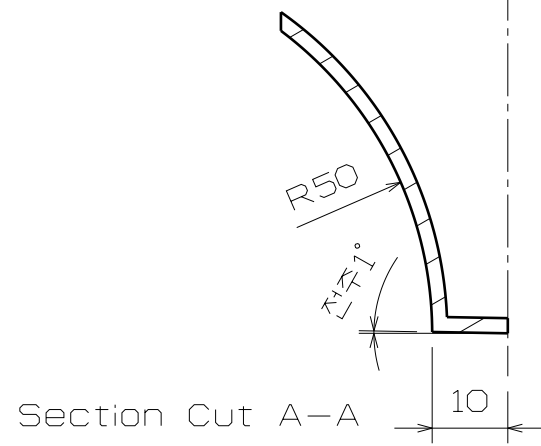
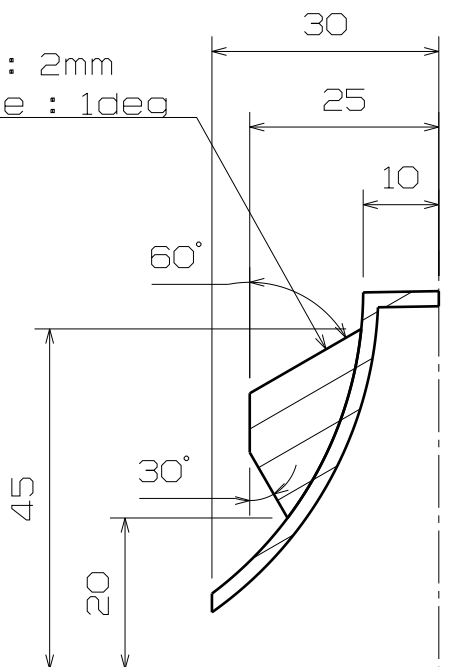
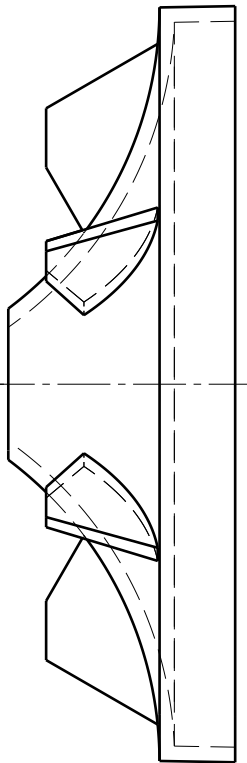
3

2

1



Thickness : 2mm
 Draft Angle : 1deg



NOTE
 1. Normal Thickness $t=2\text{mm}$

D

A