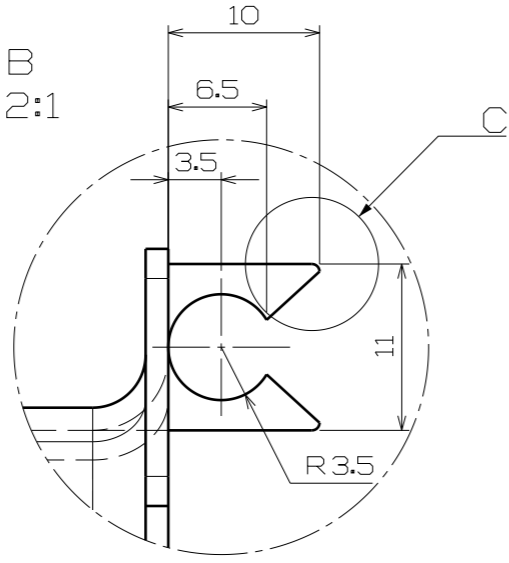
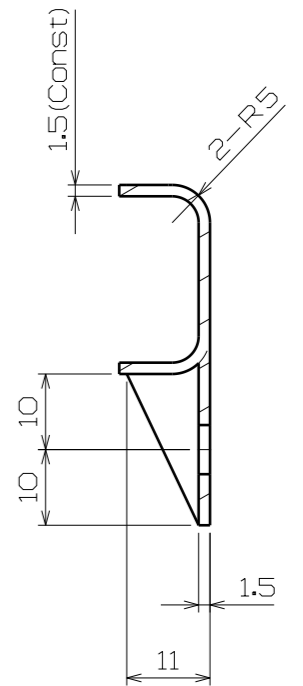
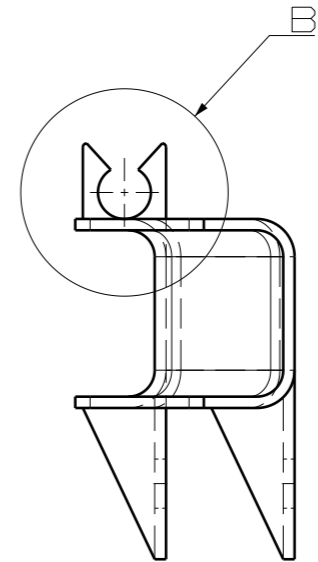
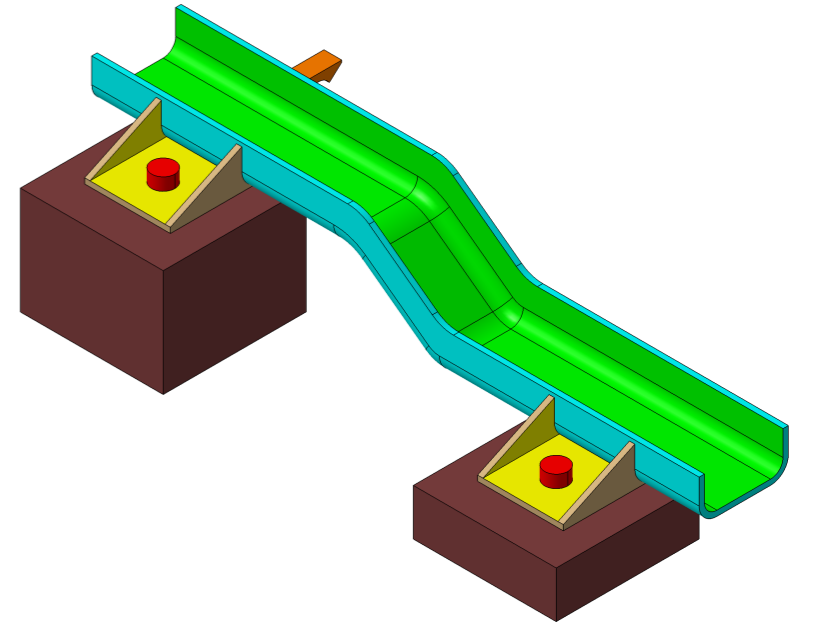
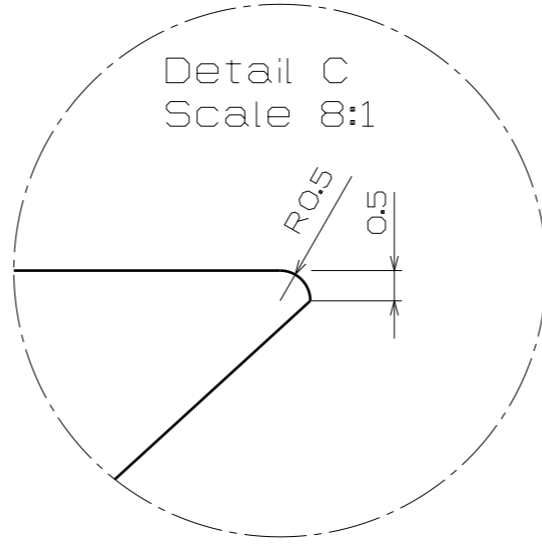


H G L E D C B A

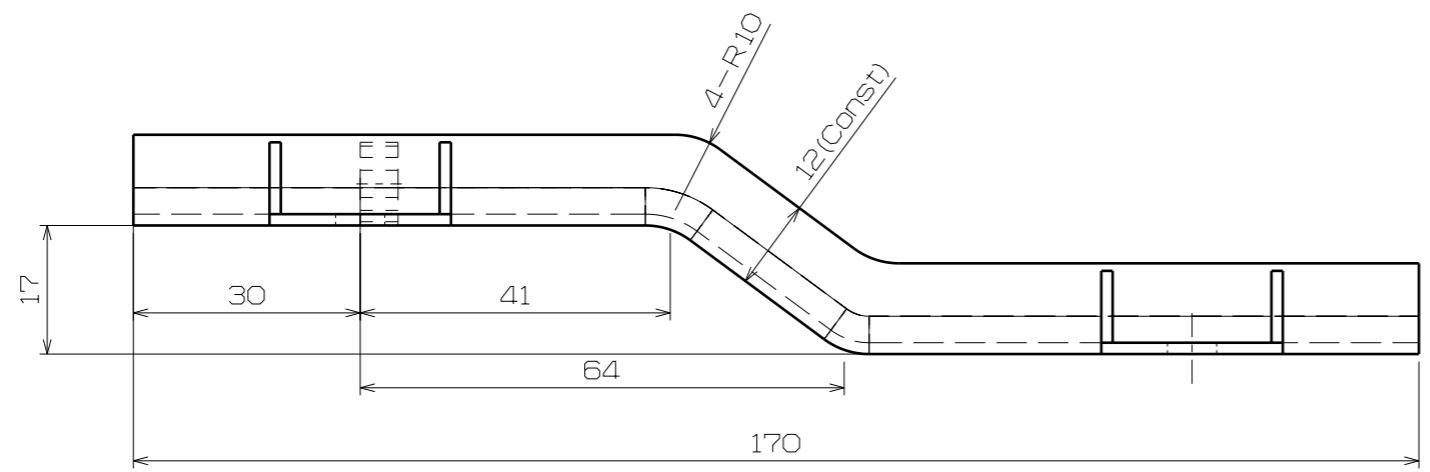
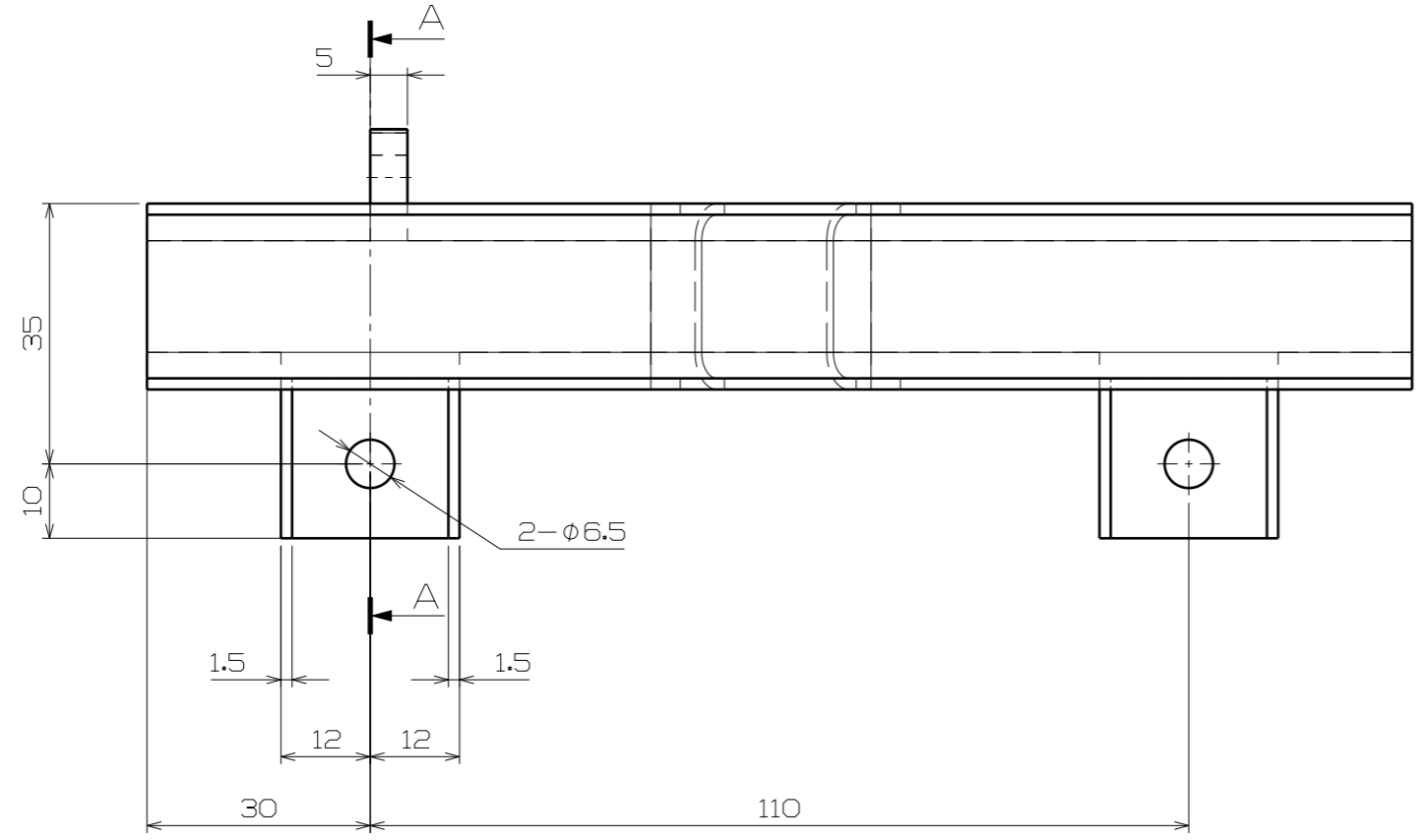
Detail B
Scale 2:1



Detail C
Scale 8:1



Section A-A



4

3

2

1

4

3

2

1

H G L E D C B A