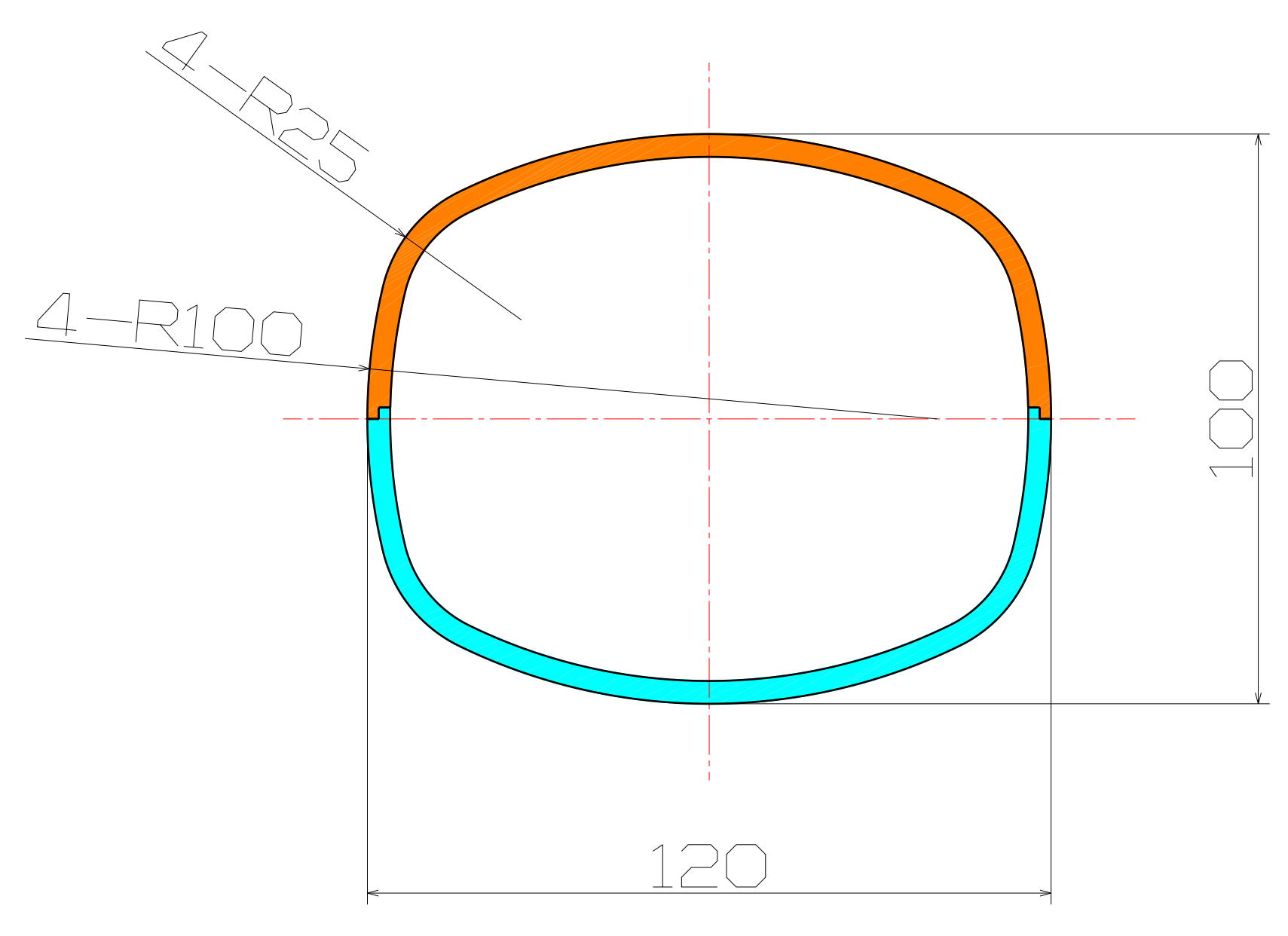
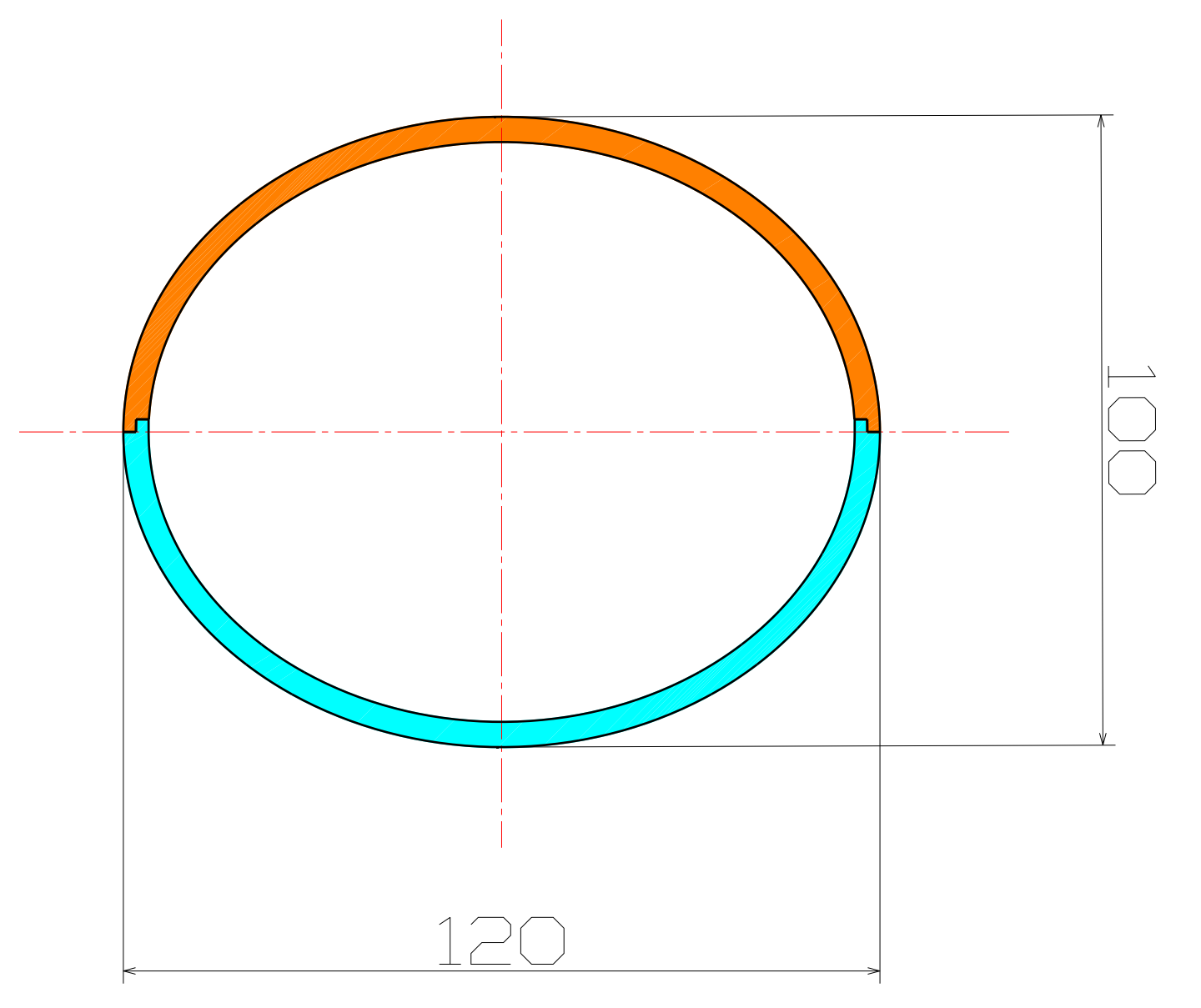


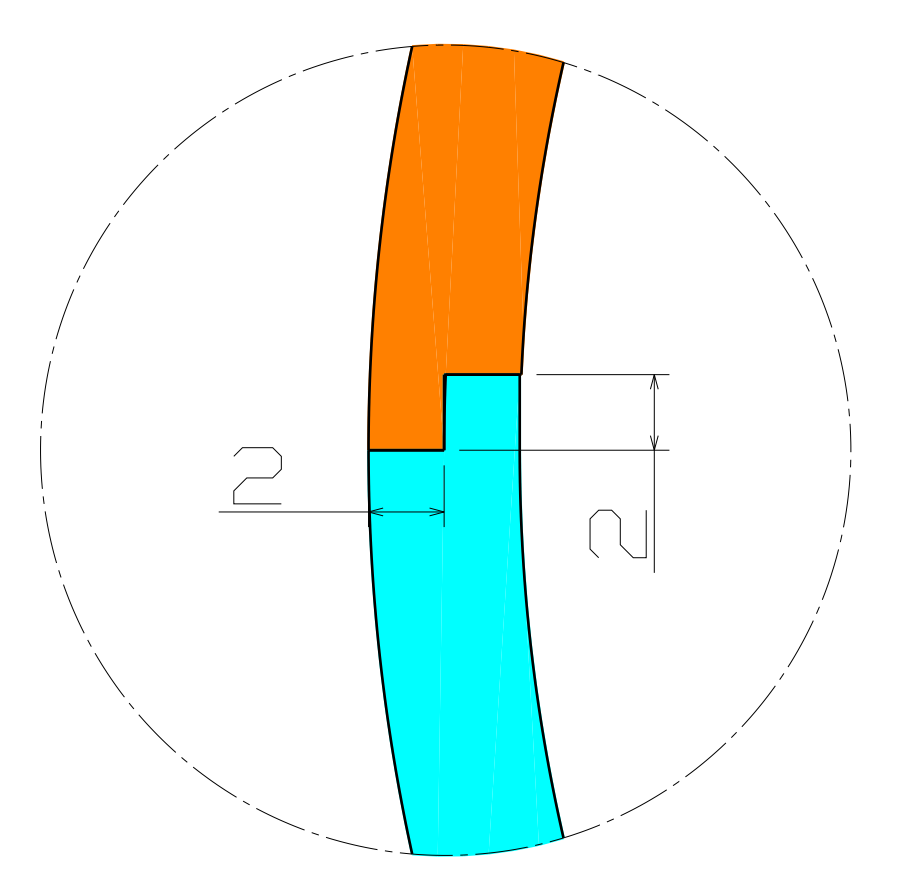
Section Cut A-A



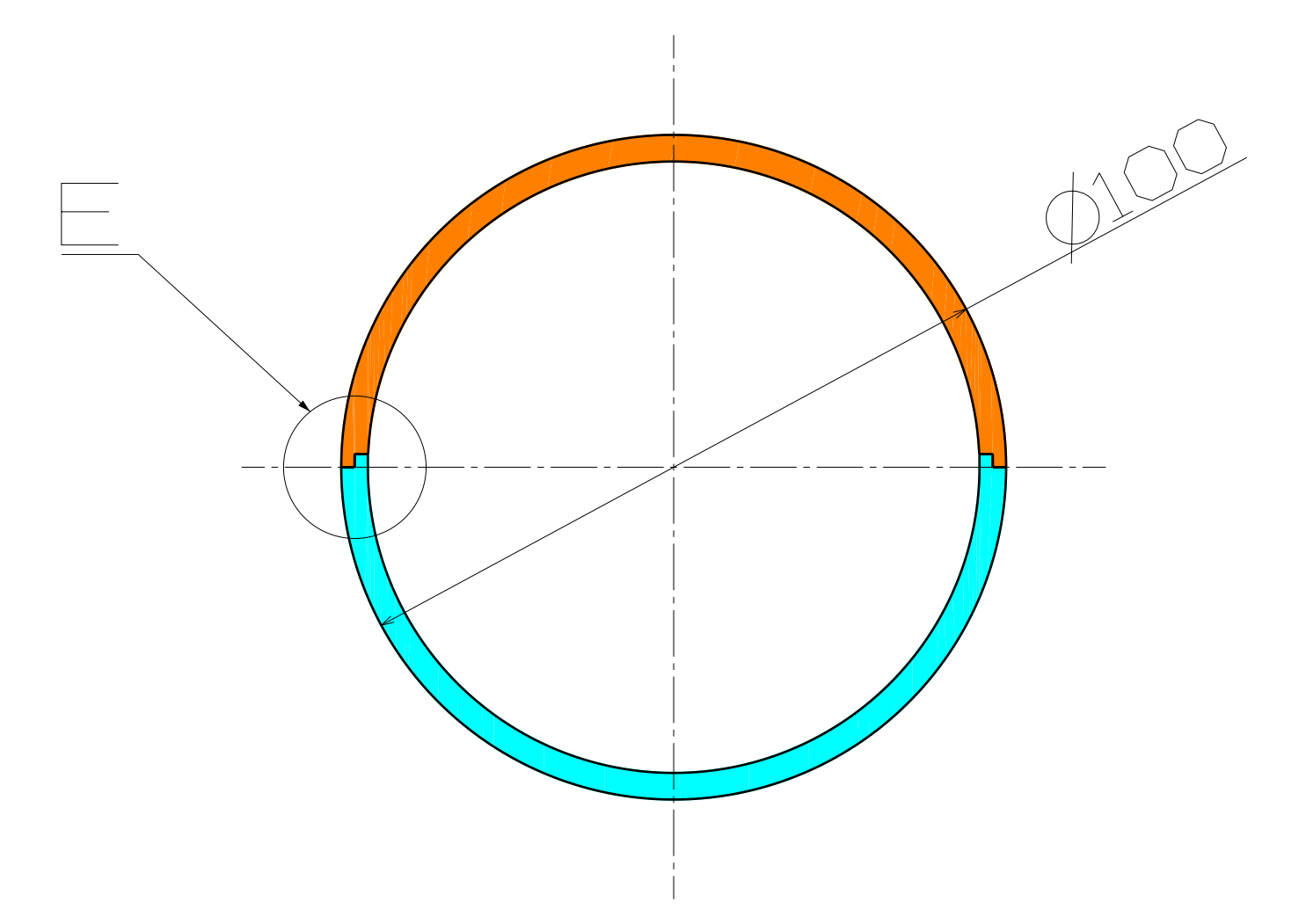
Section Cut B-B



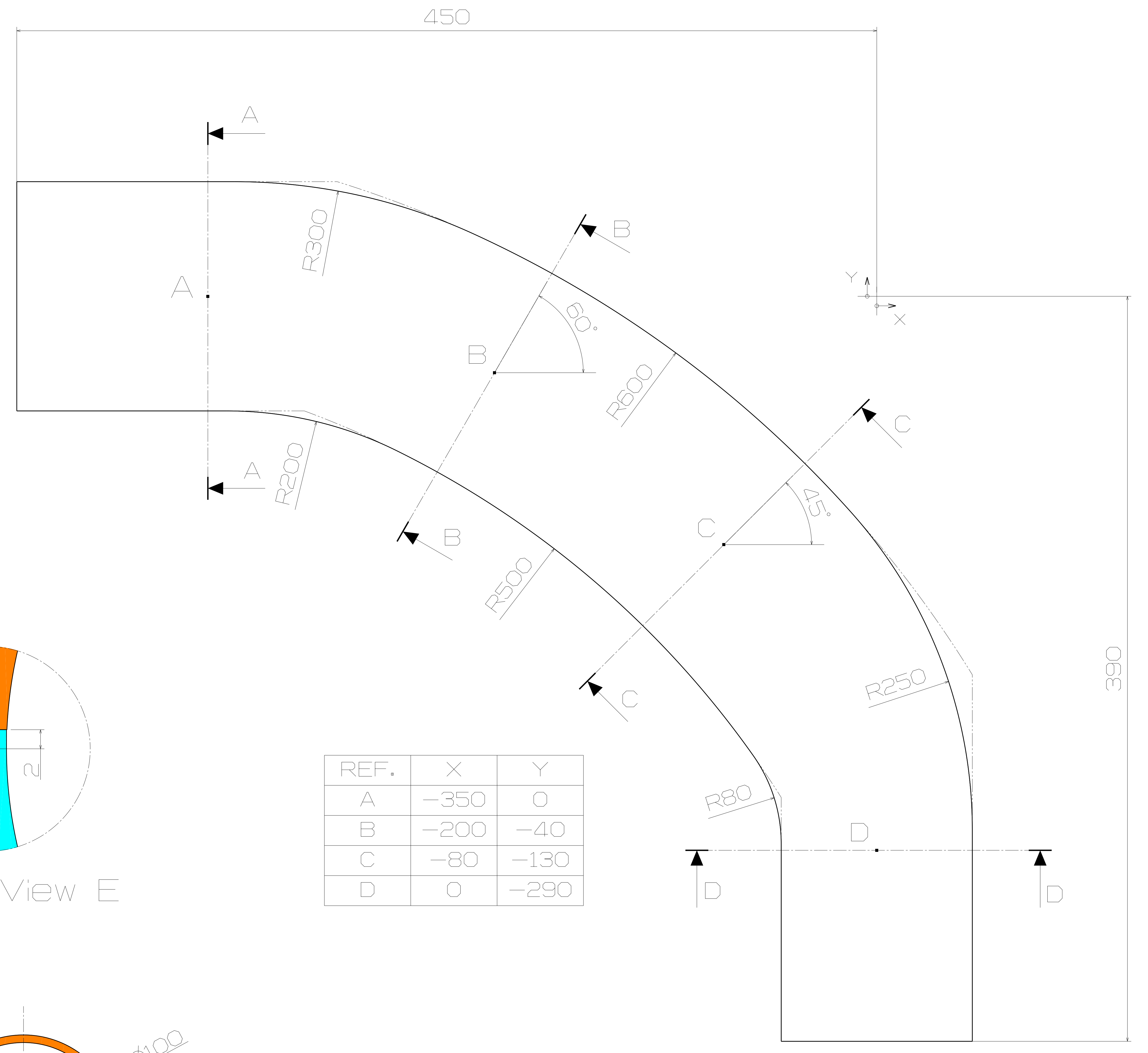
Section Cut C-C



Detail View E



Section Cut D-D



REF.	X	Y
A	-350	0
B	-200	-40
C	-80	-130
D	0	-290

NOTE
1. Normal Thickness : 4t

This drawing is our property. It can't be reproduced or communicated without our written agreement.		DASSAULT SYSTEMES			
DRAWN BY basangmam		DATE 2009-01-30		DRAWING TITLE	
CHECKED BY XXX		DATE XXX		SIZE	DRAWING NUMBER
DESIGNED BY XXX		DATE XXX		SCALE (1:1)	WEIGHT(kg) 0.96
				SHEET	1/1