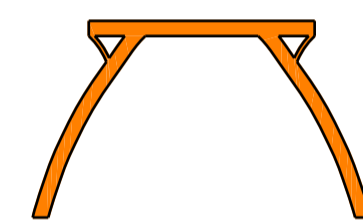
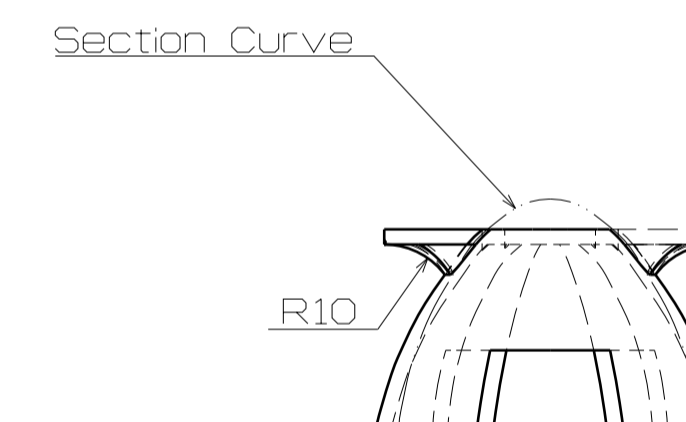
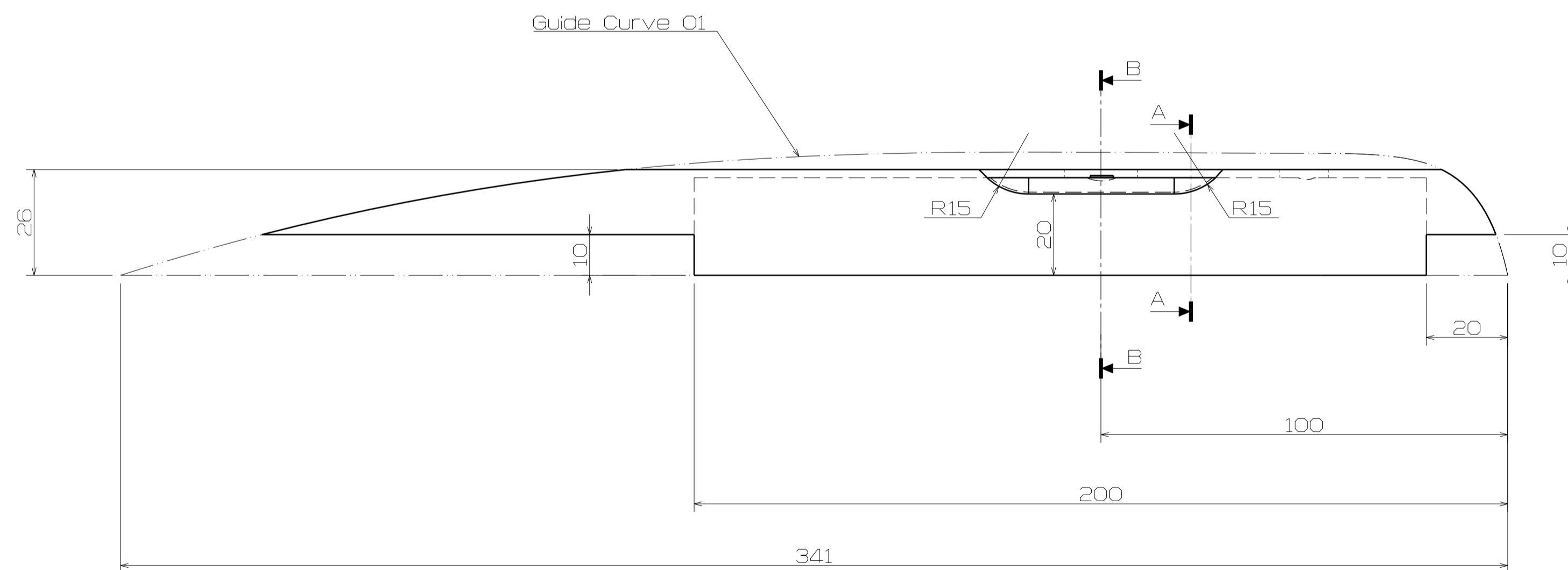


Section Cut B-B



Section Cut A-A



Guide Curve 01					
X	0	-14.4	-46	-150	-341
Z	0	25	30	30	0

Guide Curve 02,03						
X	0	-46	-150	-183	-262	-341
Y	0	17.8	20	17	10	0

Section Curve (at X Direction -150mm Plane)																	
Y	-20	-19.8	-19.5	-19.1	-18.7	-18.2	-17.5	-16.6	-15.6	-14.3	-12.8	-11.6	-9.3	-6.8	-4	-1.4	0
Z	0	1.6	3.3	5.1	6.9	8.6	10.6	13	15.2	17.6	20.4	22.1	25.1	27.2	29.1	29.9	30