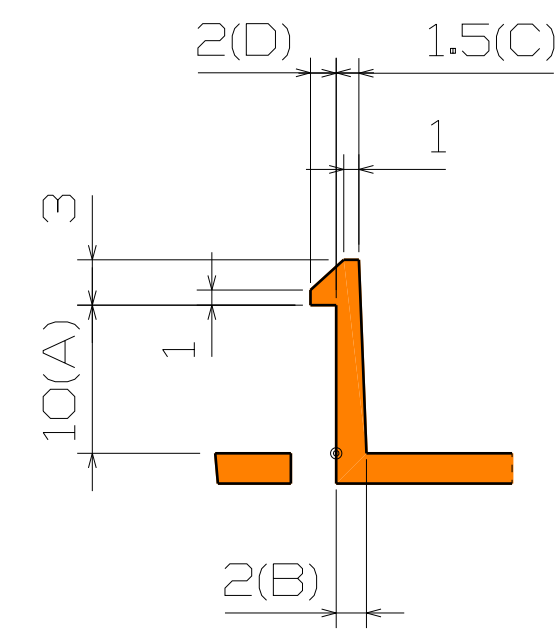
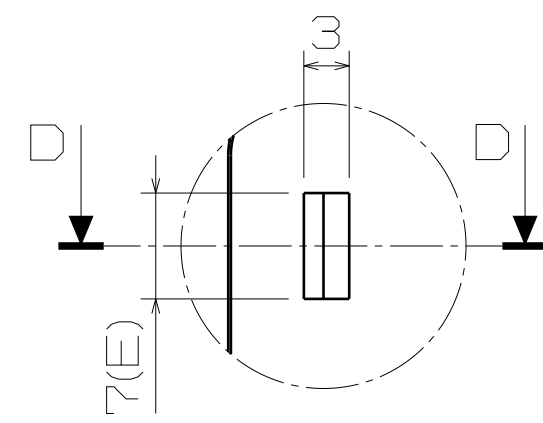


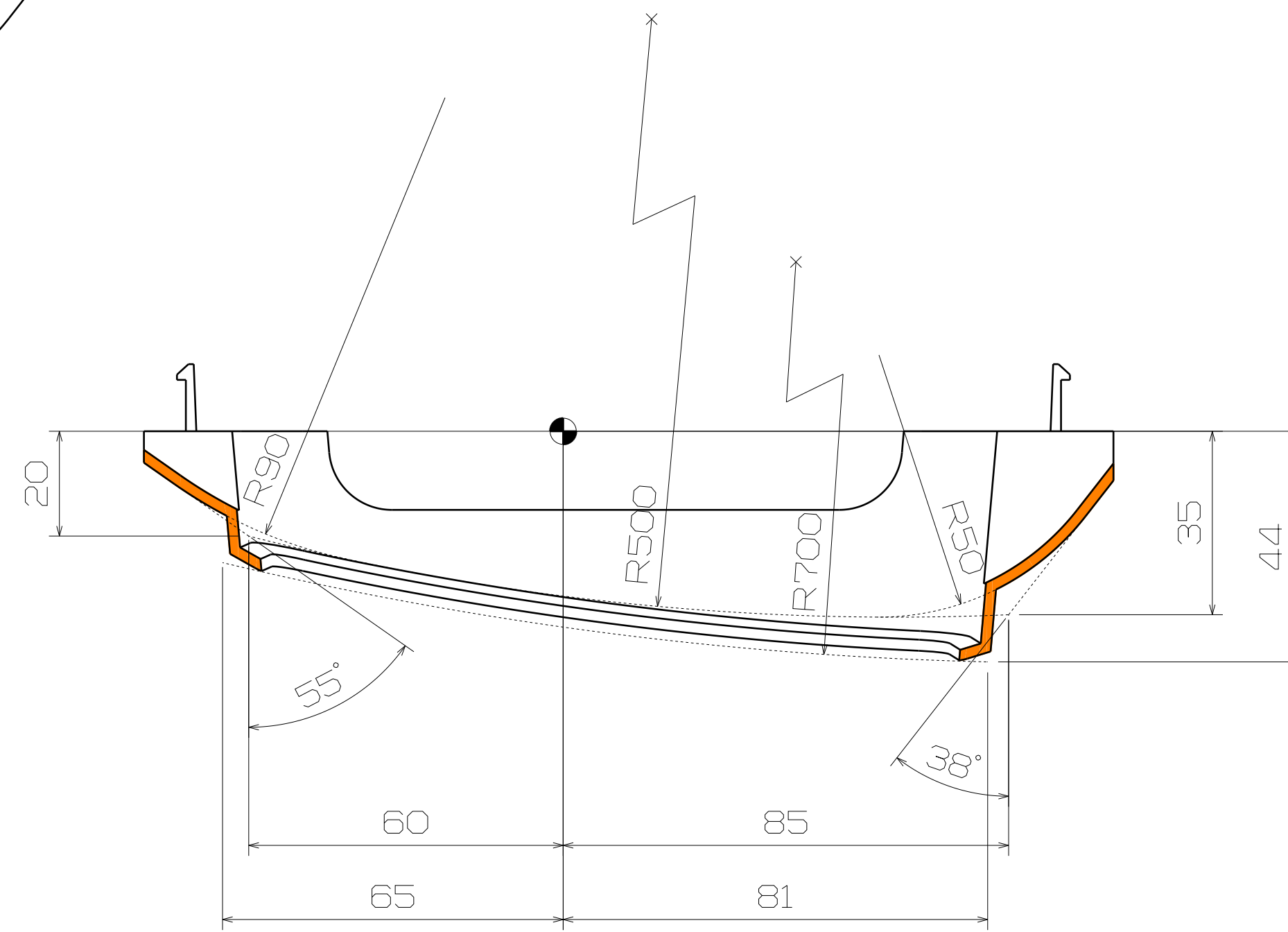
User	Feature	Publish Name
A	Snap Fit	Height
B	Snap Fit	Upper
C	Snap Fit	Lower
D	Snap Fit	Hook
E	Snap Fit	Width
F	Snap Fit	Rotate



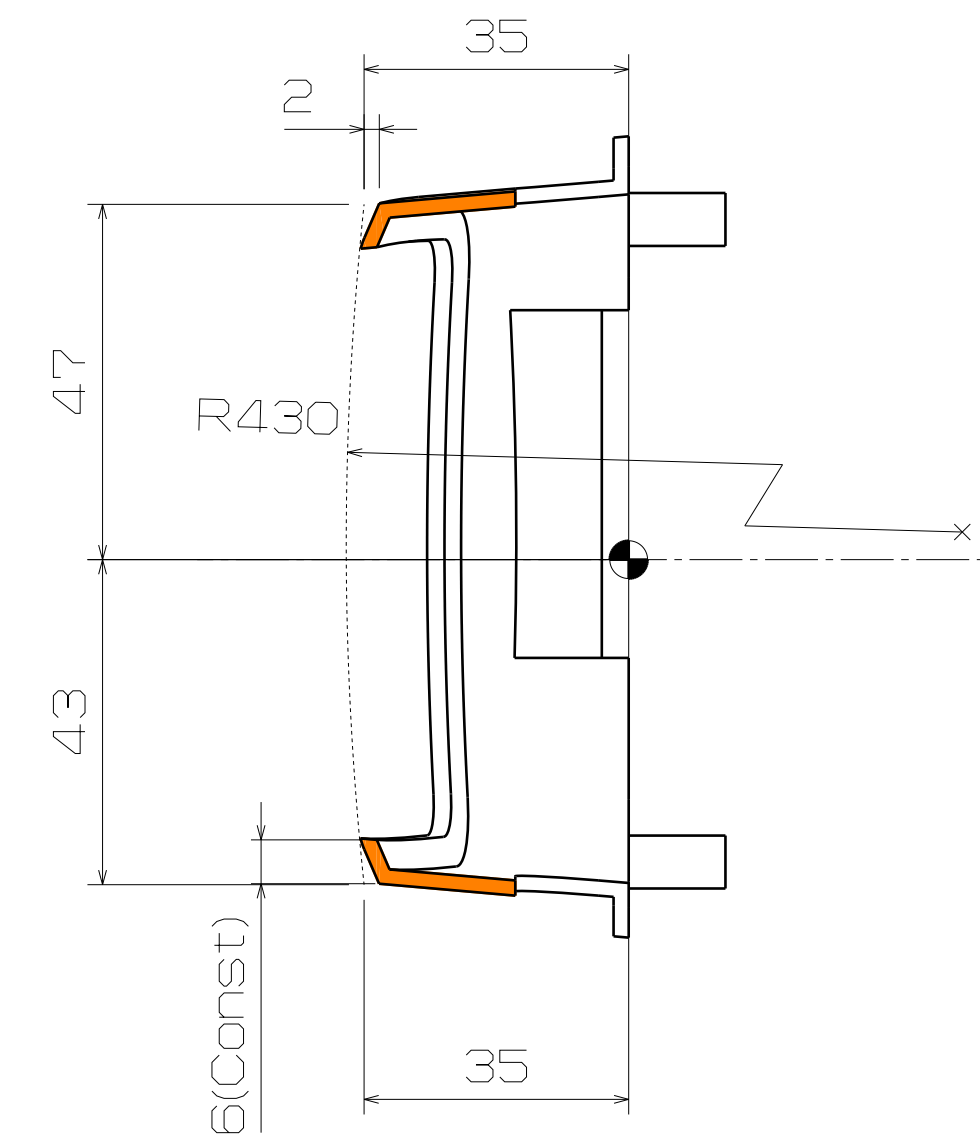
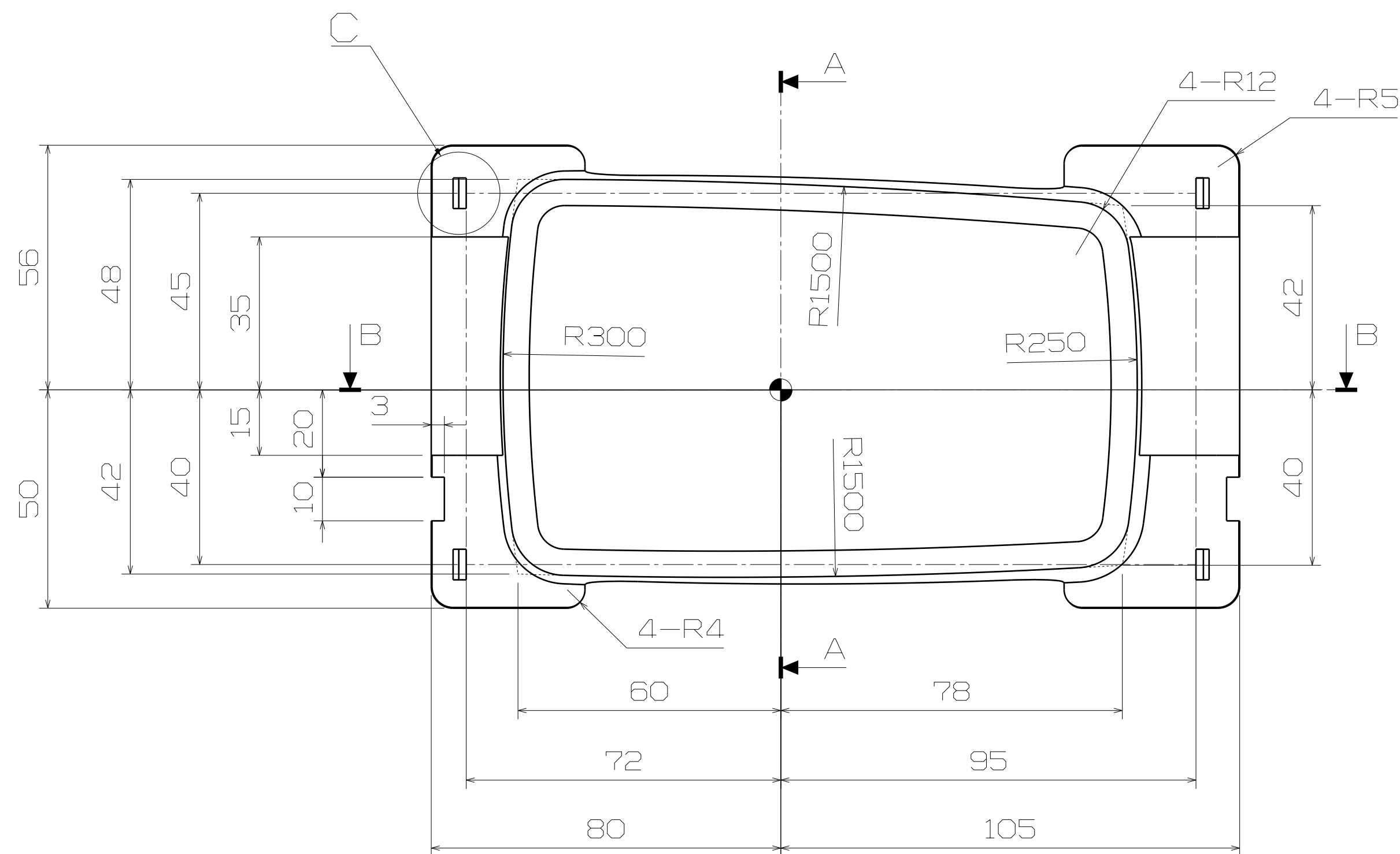
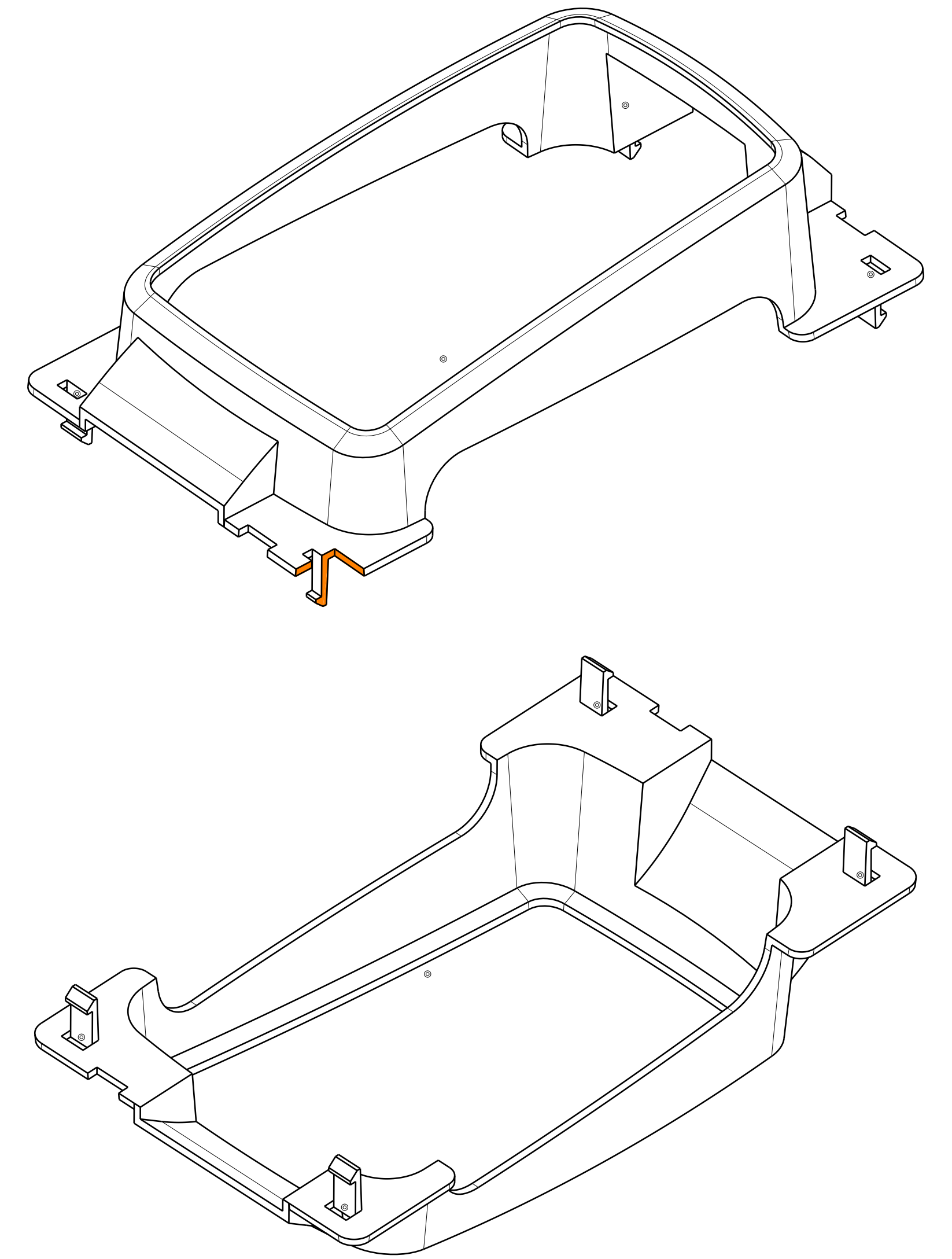
Section Cut D-D



Detail View C
Scale 2:1



Section view B-B



Section view A-A

NOTE
 1. Normal Thickness : 2mm
 2. Normal Draft Angle : 5deg
 3. Snap Fit Plug 부분은 UDF를 적용할 것.