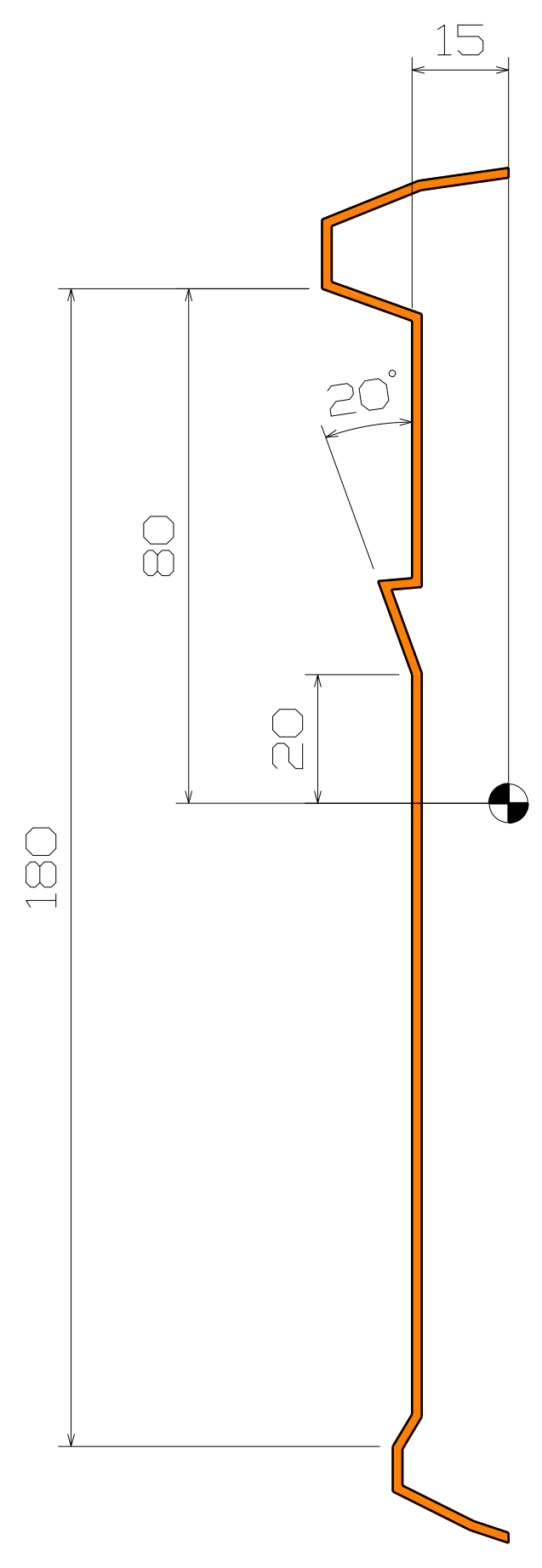
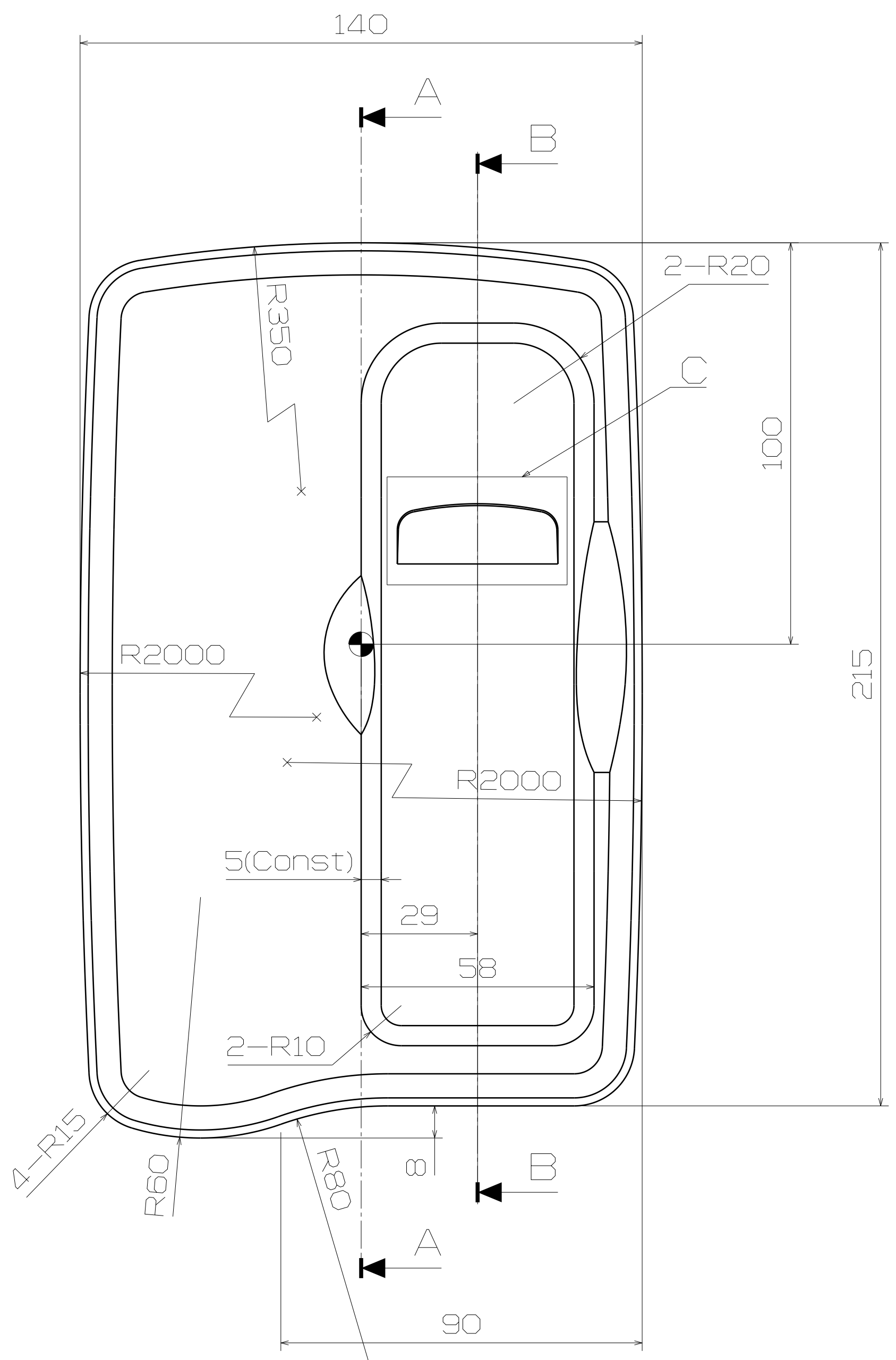
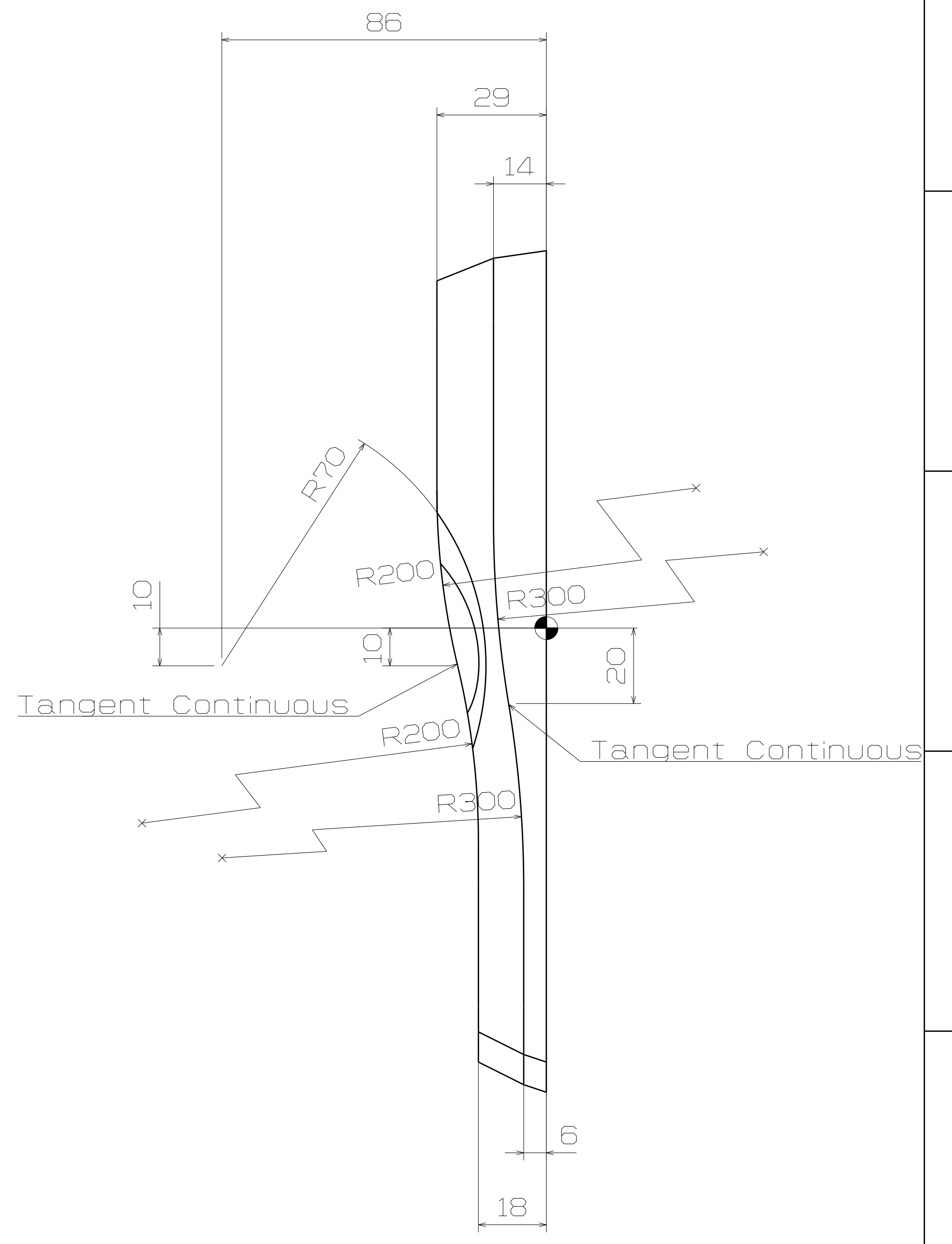


Section cut A-A



Section cut B-B



NOTE
Normal Thickness : 1.5t