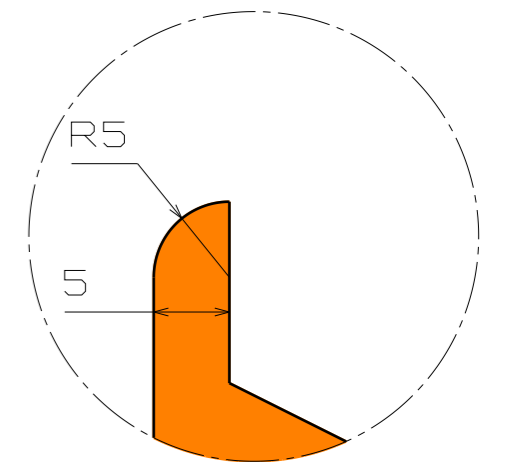
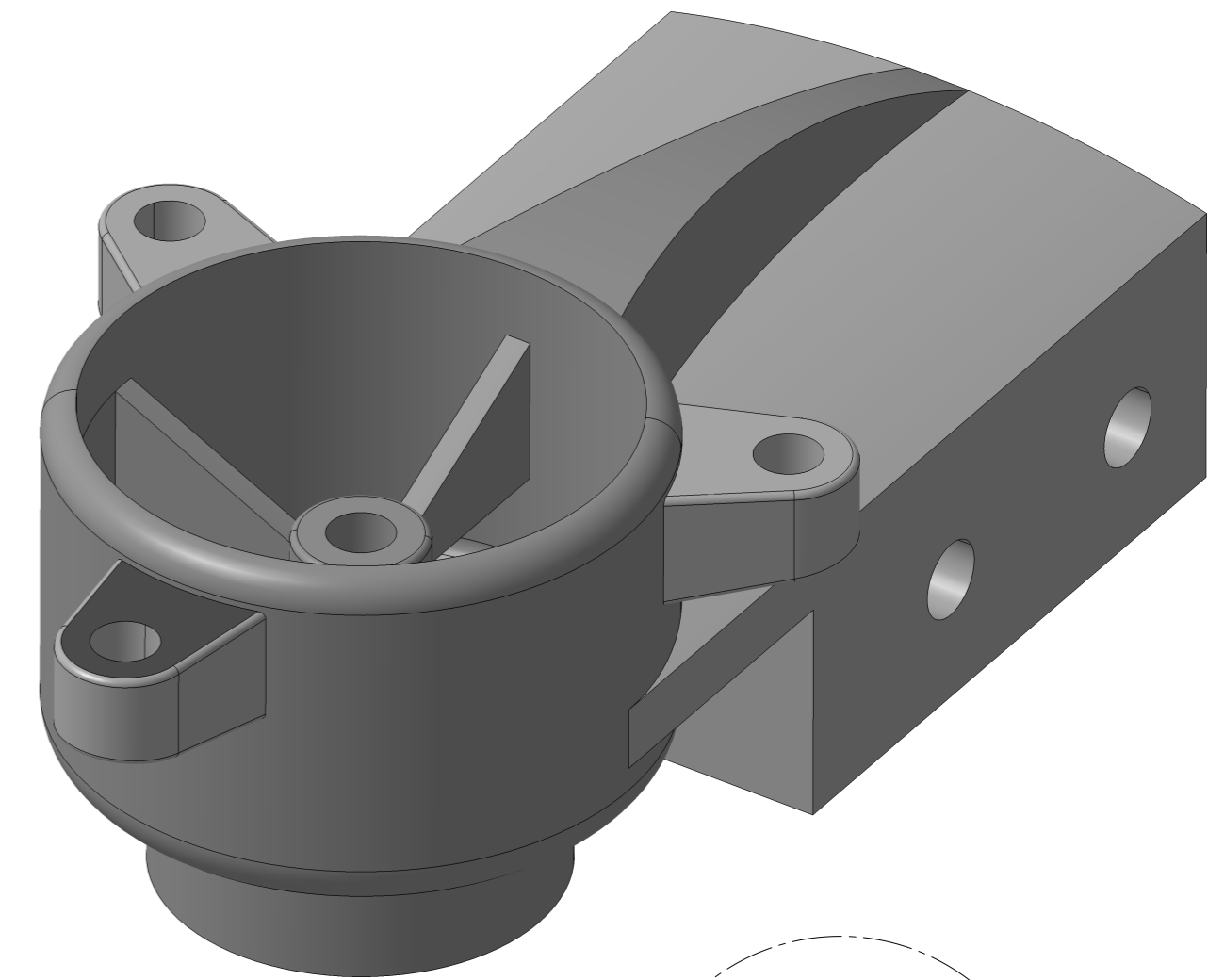
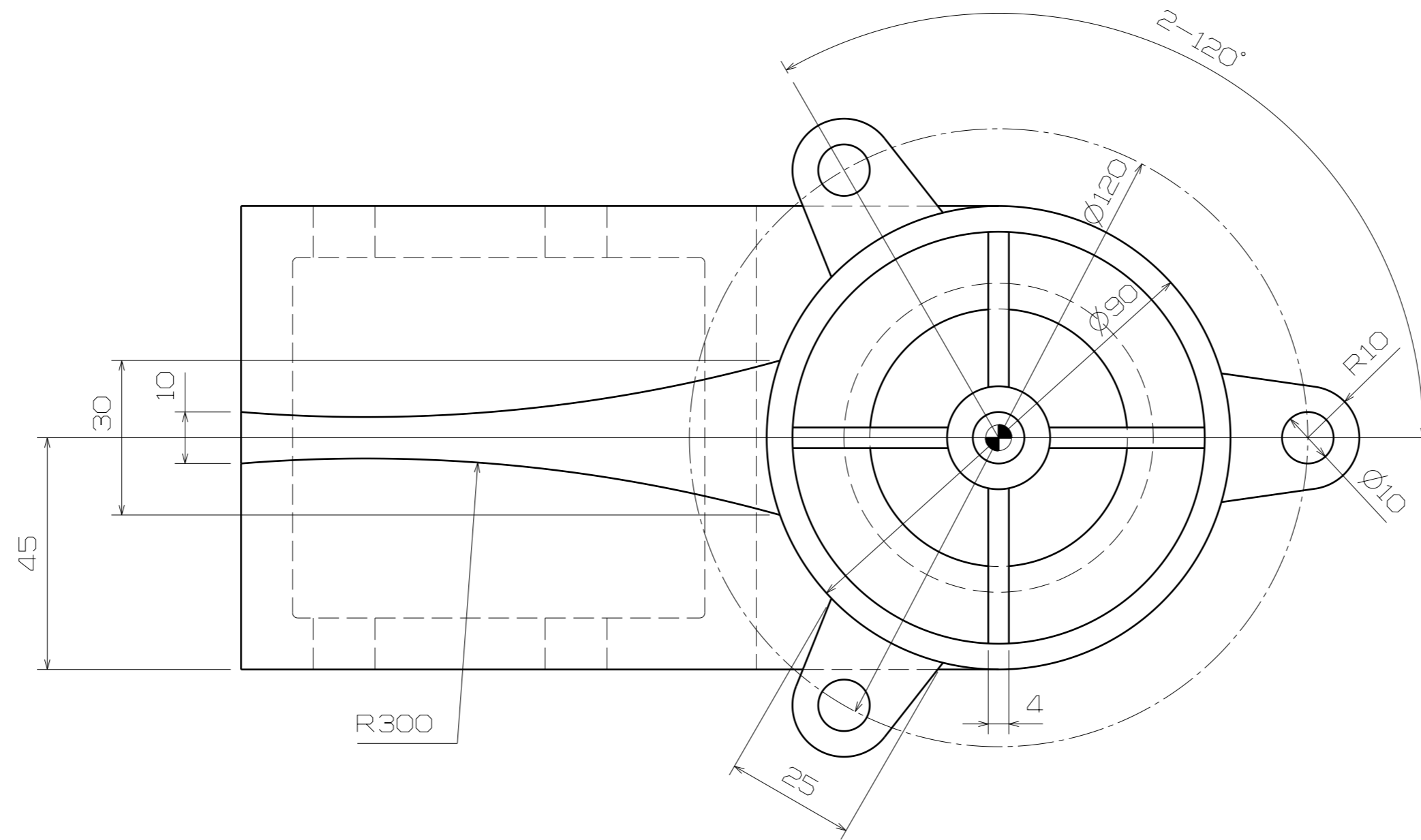
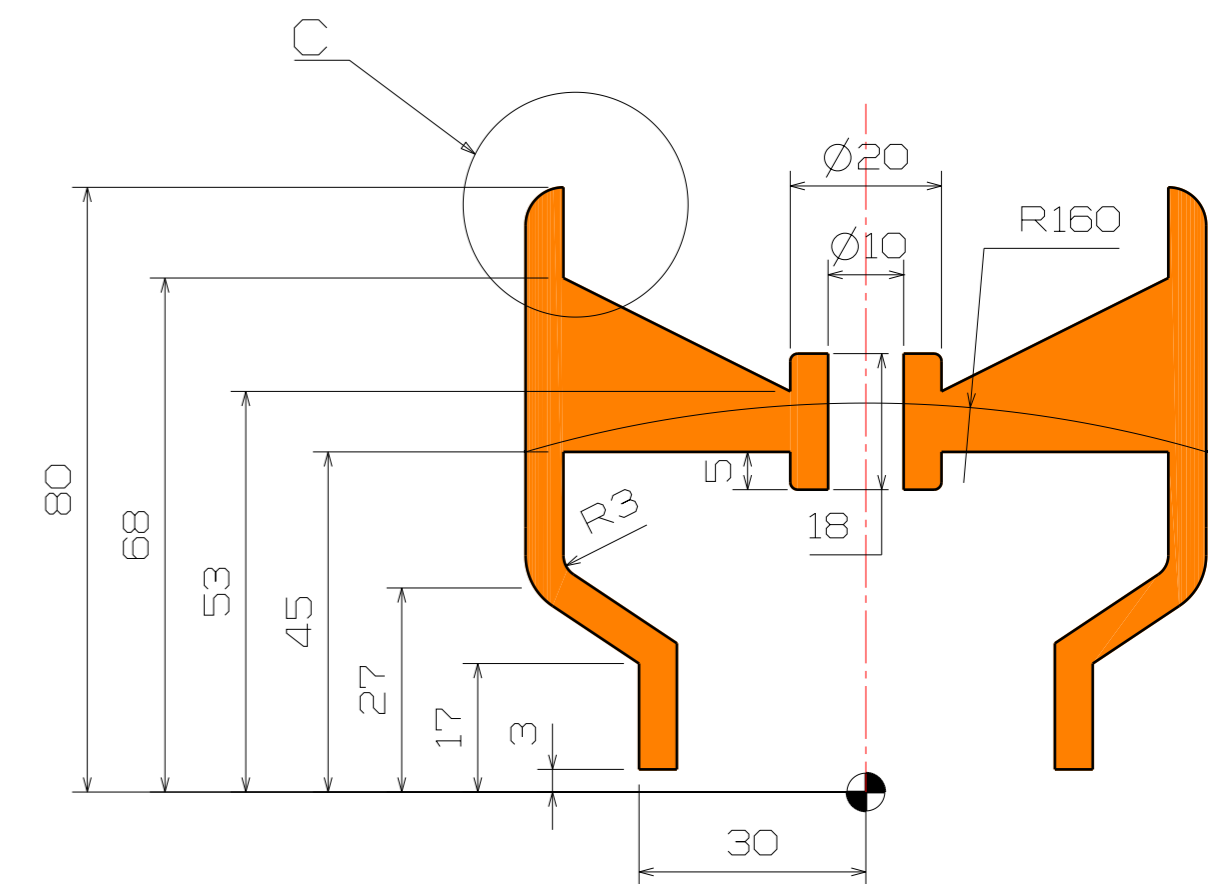
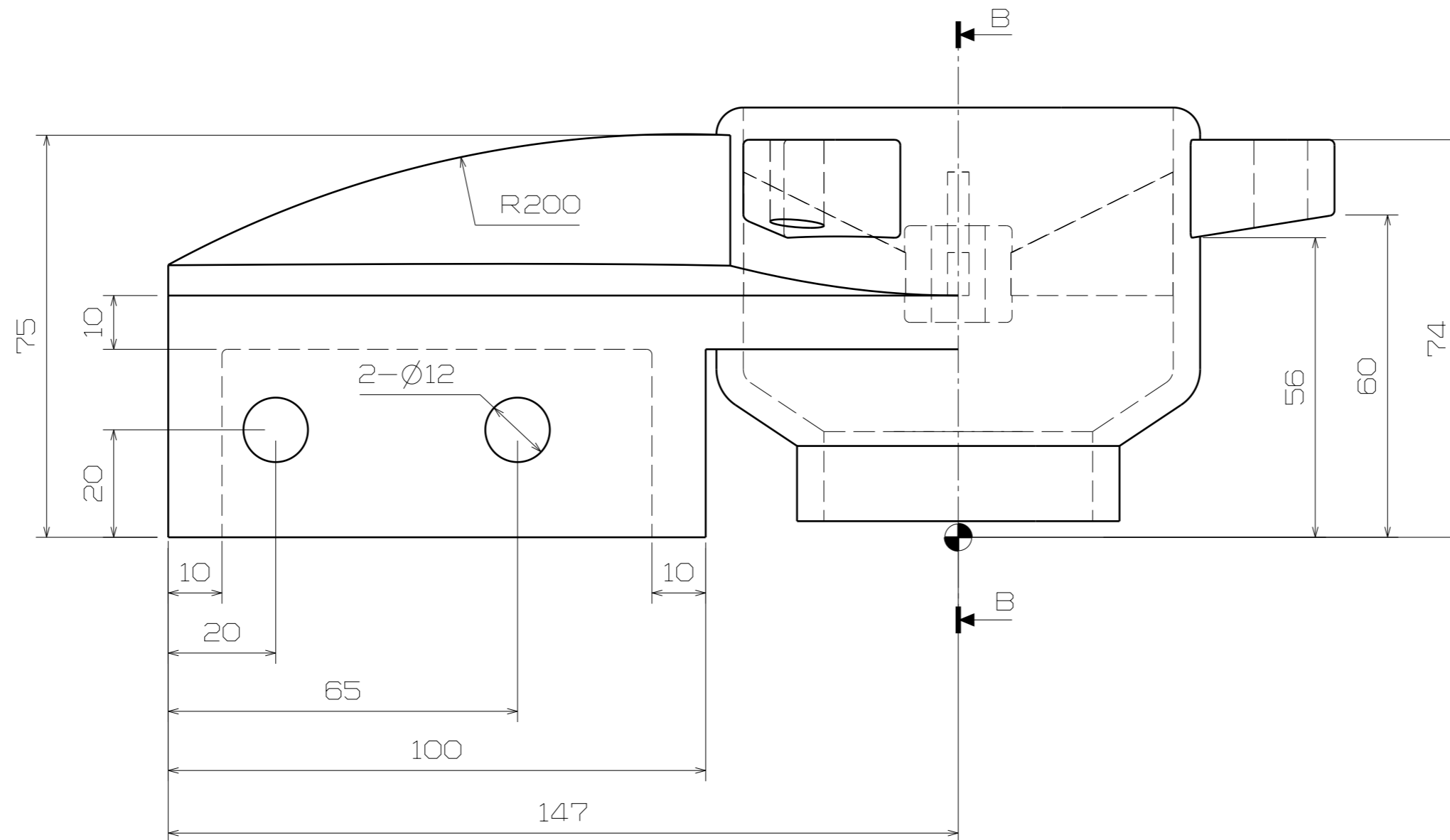
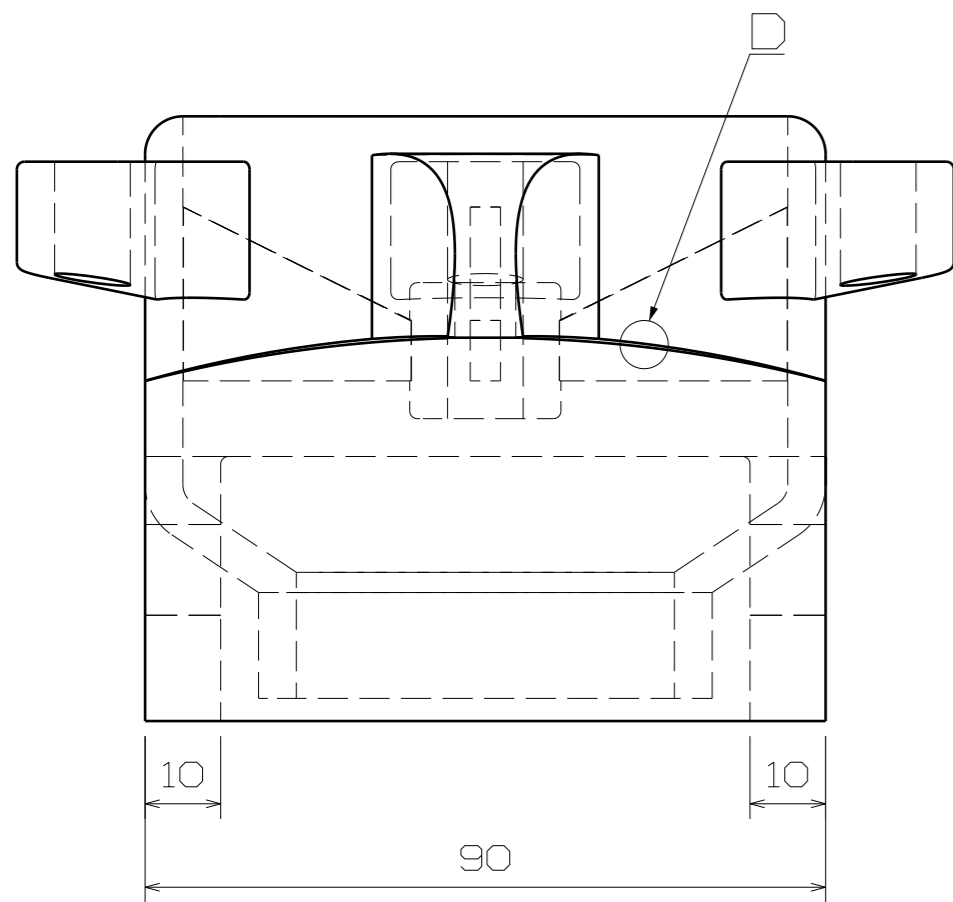


Detail View D
Scale 10:1



Detail View C
Scale 2:1



Section Cut B-B

NOTE
1. Unspecified Fillet Radius R1