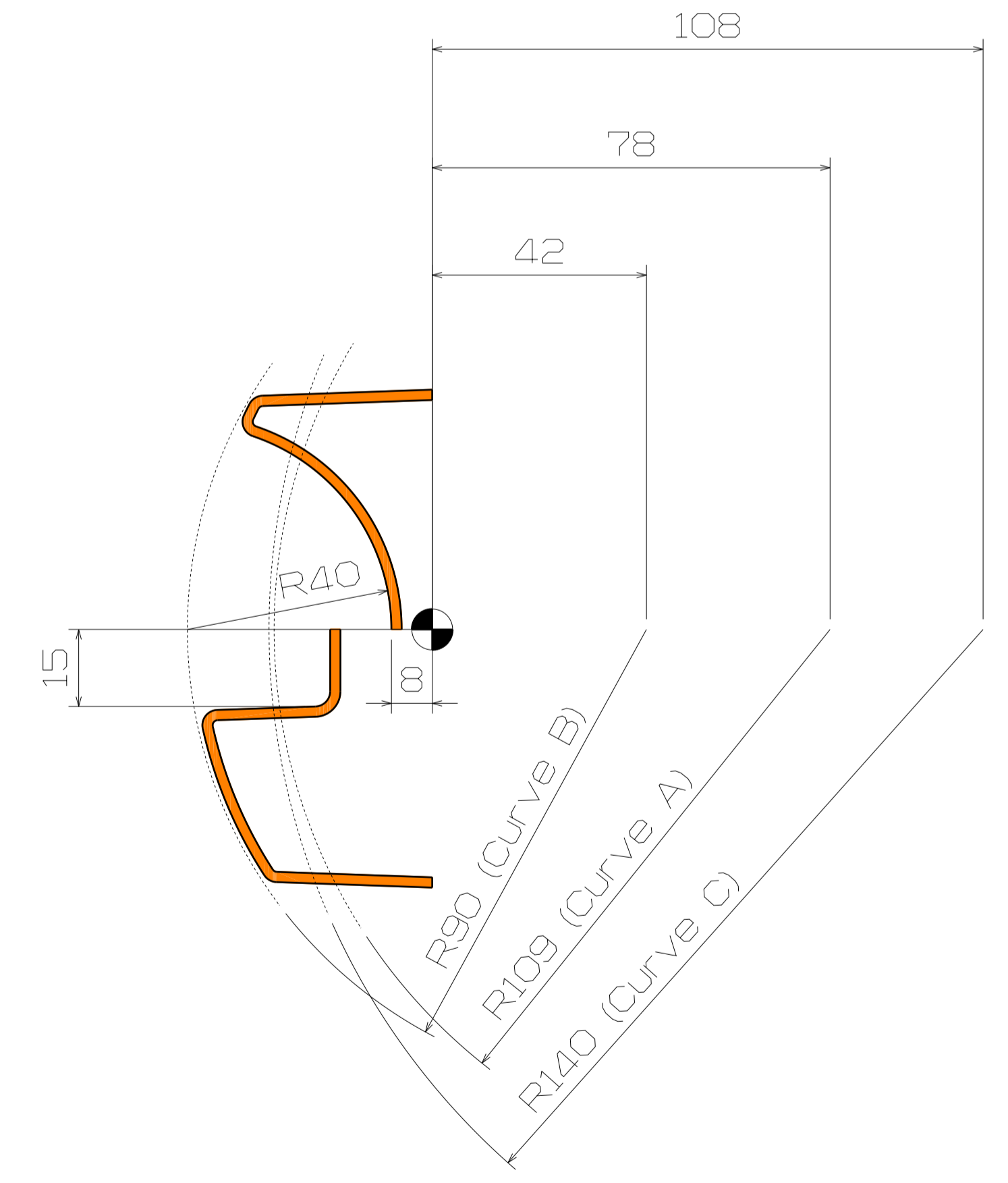
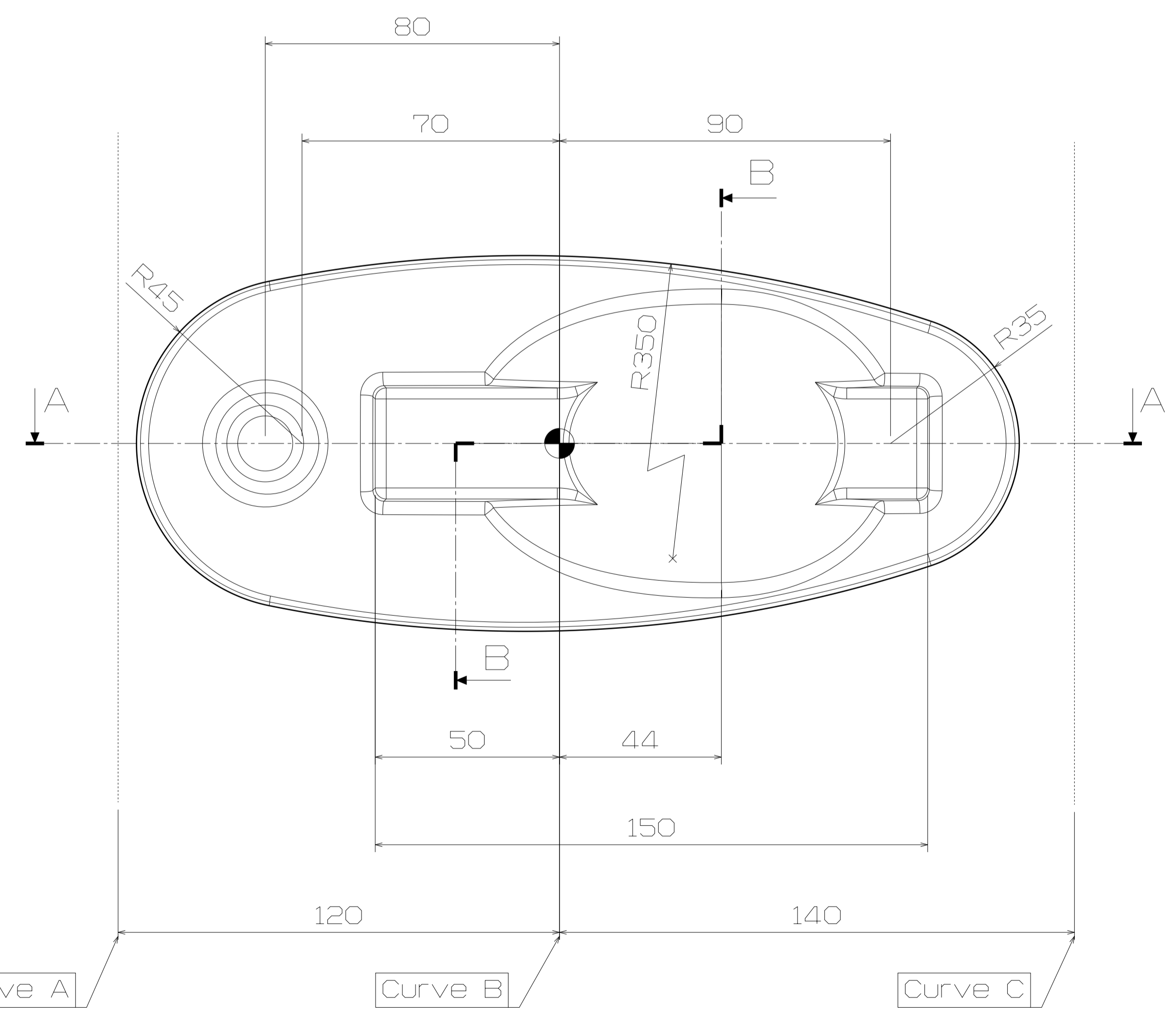
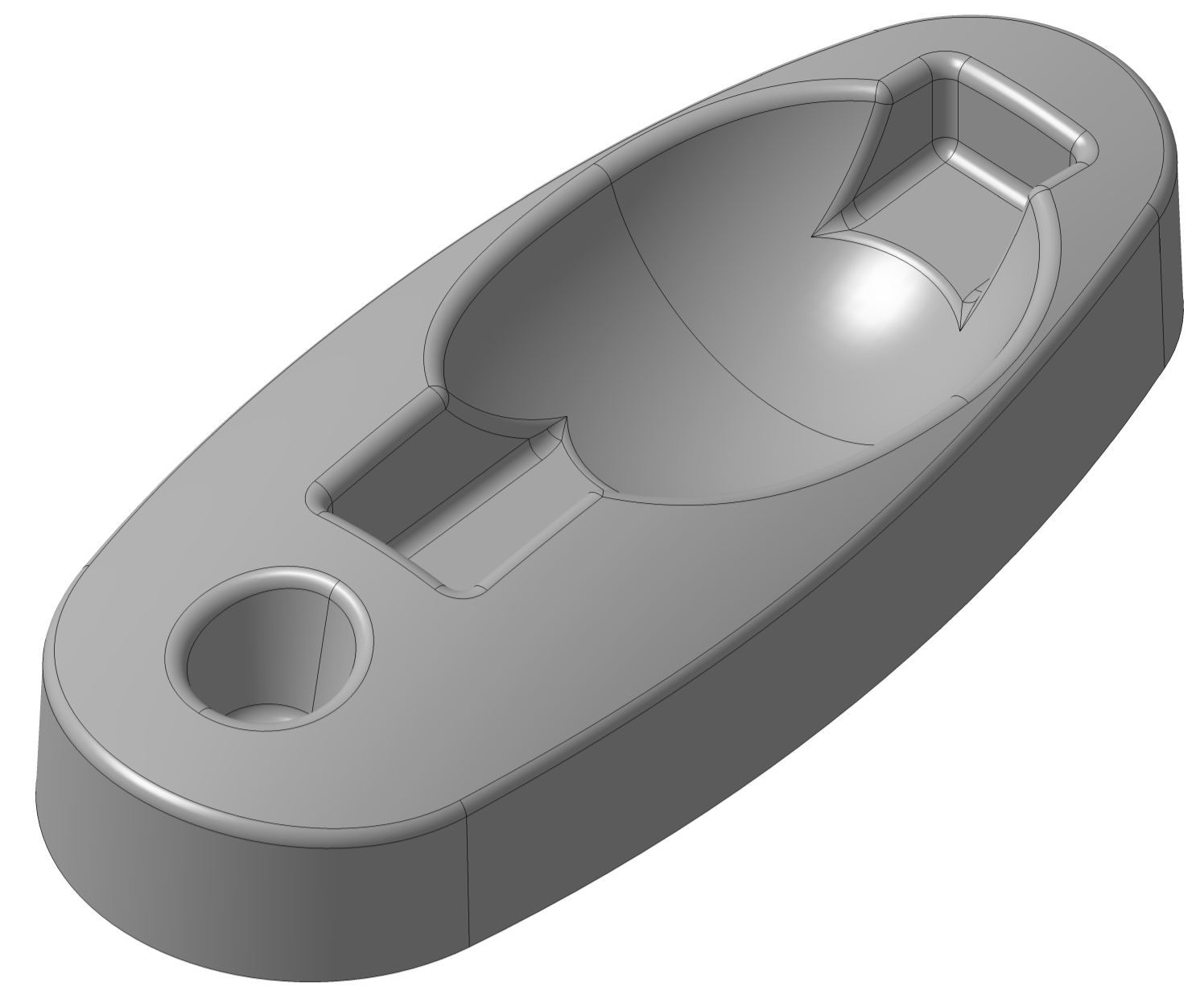


Section cut A-A



Section cut B-B

NOTE
 Normal Draft Angle : 2deg
 Unspecified Fillet : R3
 Thickness : 2mm