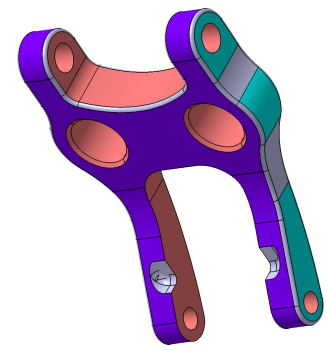
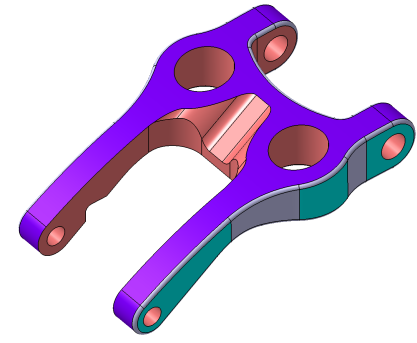
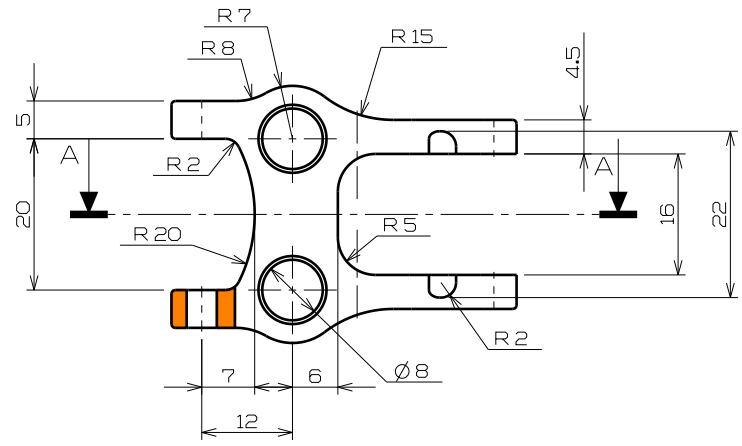


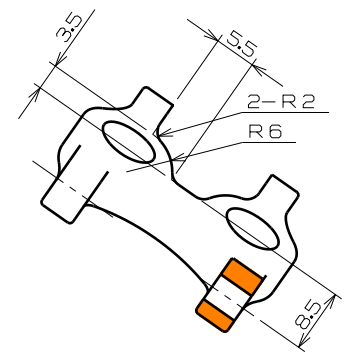
4

4

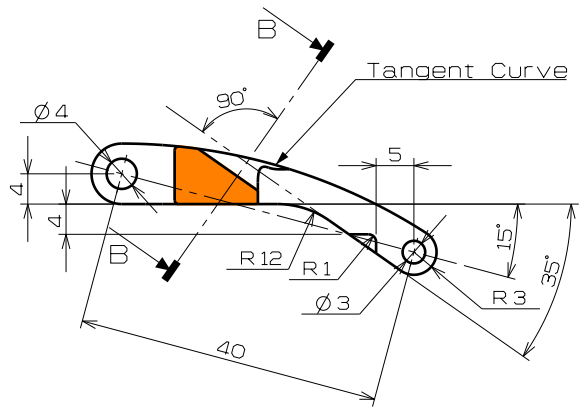


3

3



Auxiliary view B



Section view A-A
Scale 1:1

NOTE
 1. Unspecified Fillet : R0.5
 2. All Chamfer : 0.5 X 45deg

1

1

D

A