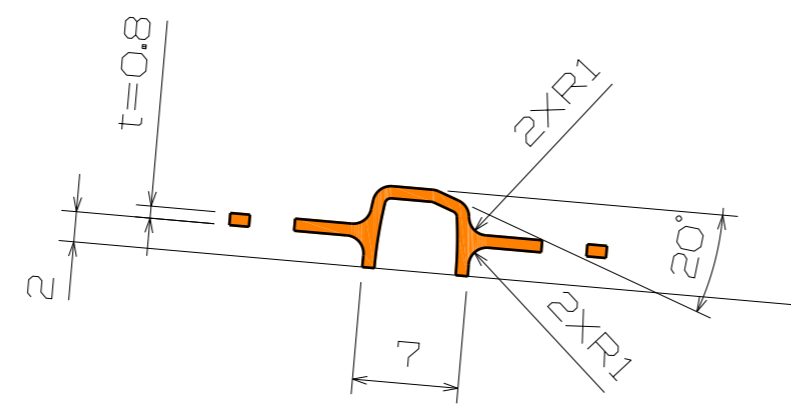
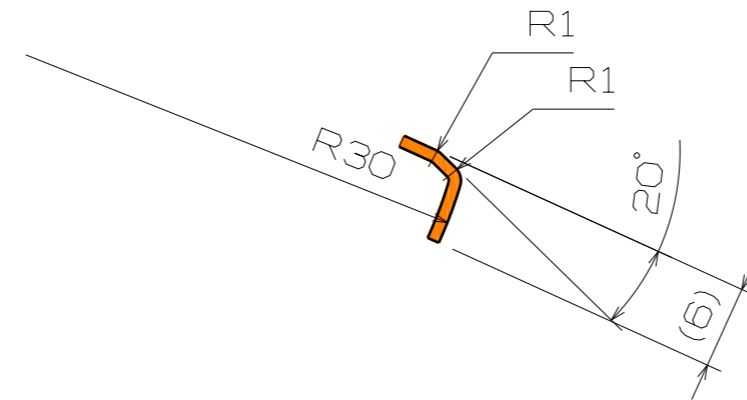


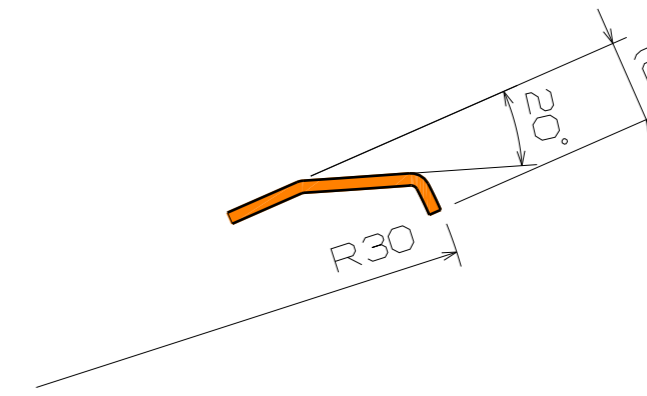
Section view A-A



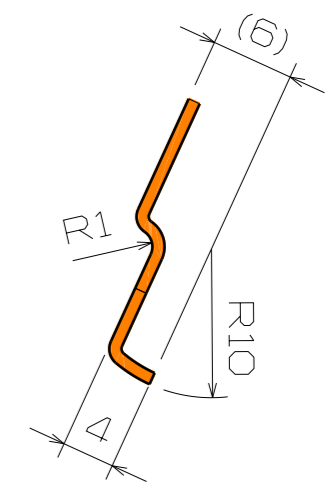
Section cut B-B



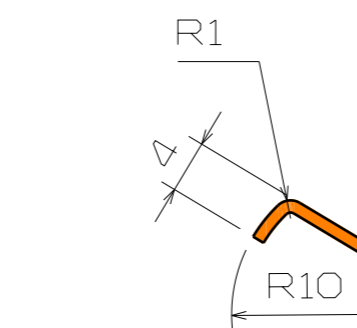
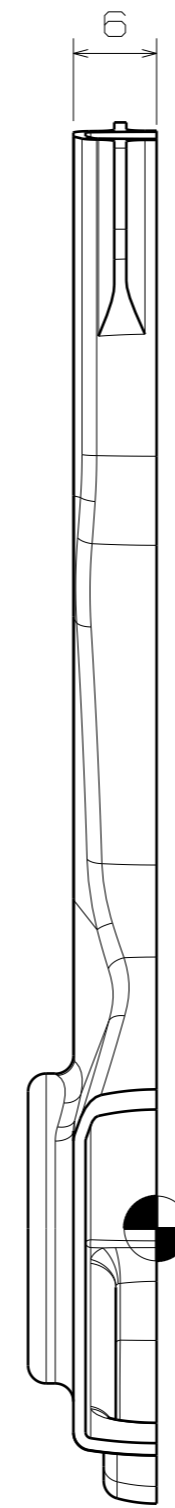
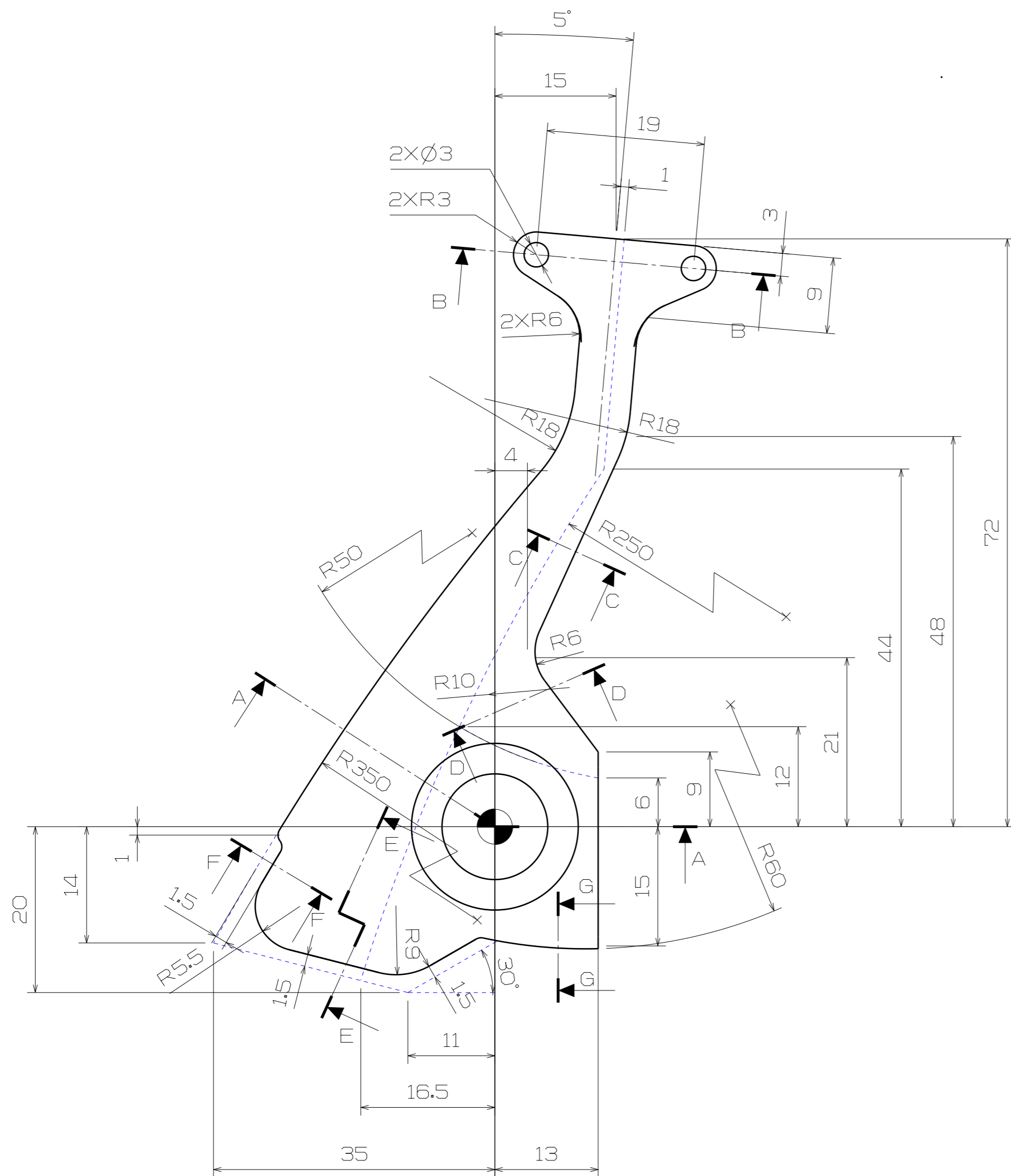
Section cut C-C



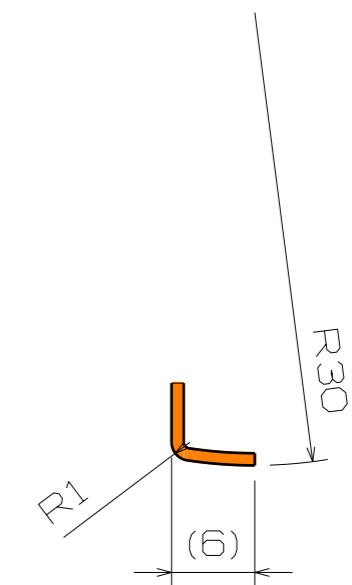
Section cut D-D



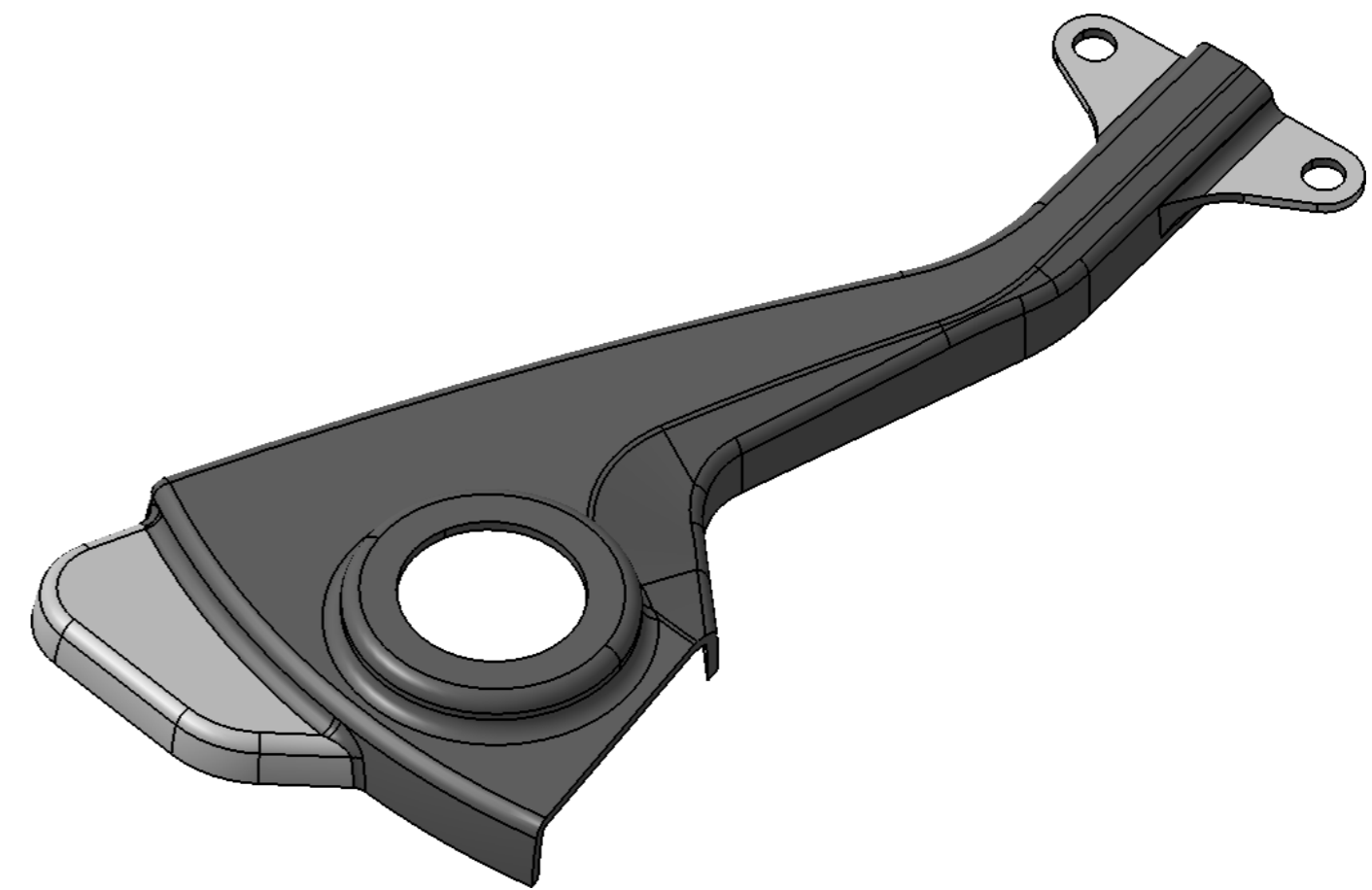
Section cut E-E



Section cut F-F



Section cut G-G



NOTE
 Global Scale : 2:1
 Material Thickness : t= 0.8mm
 Unspecified Fillet : 1mm