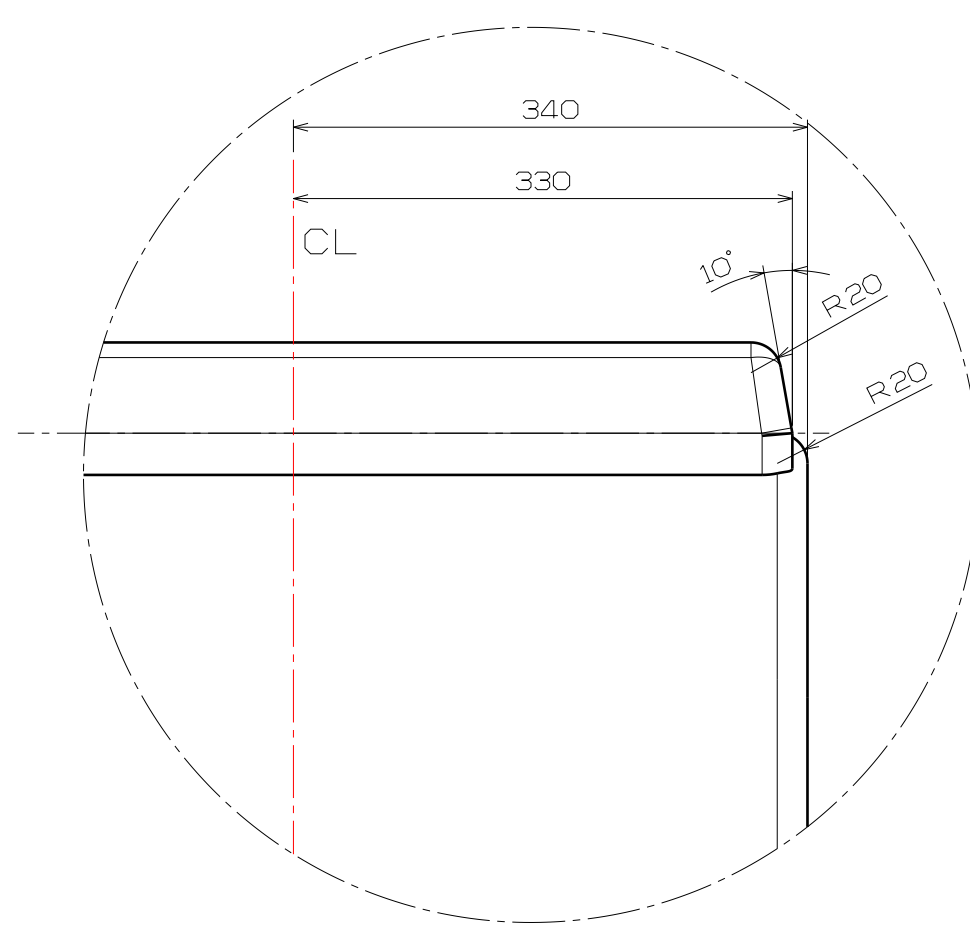
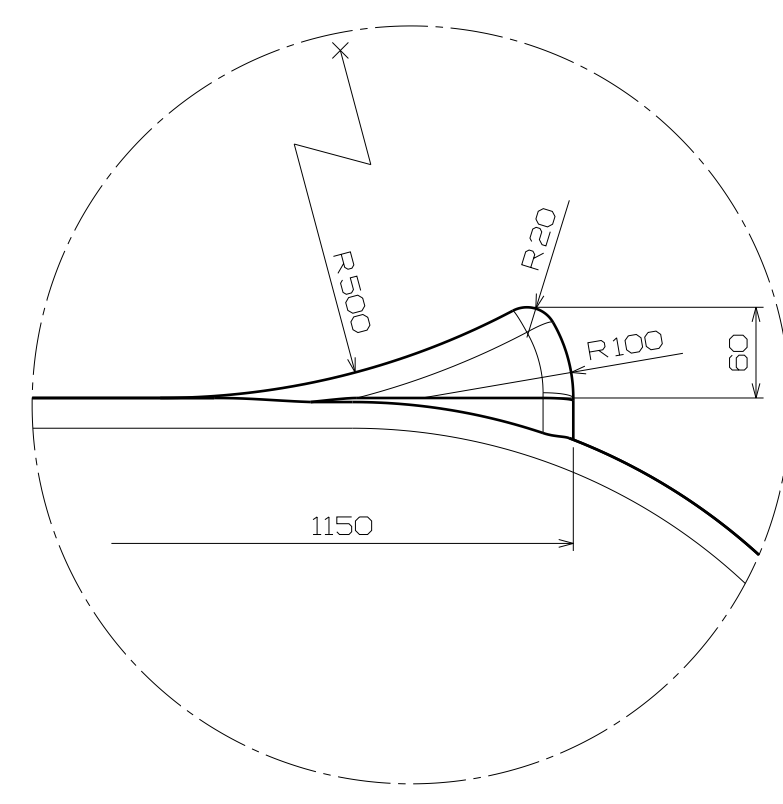


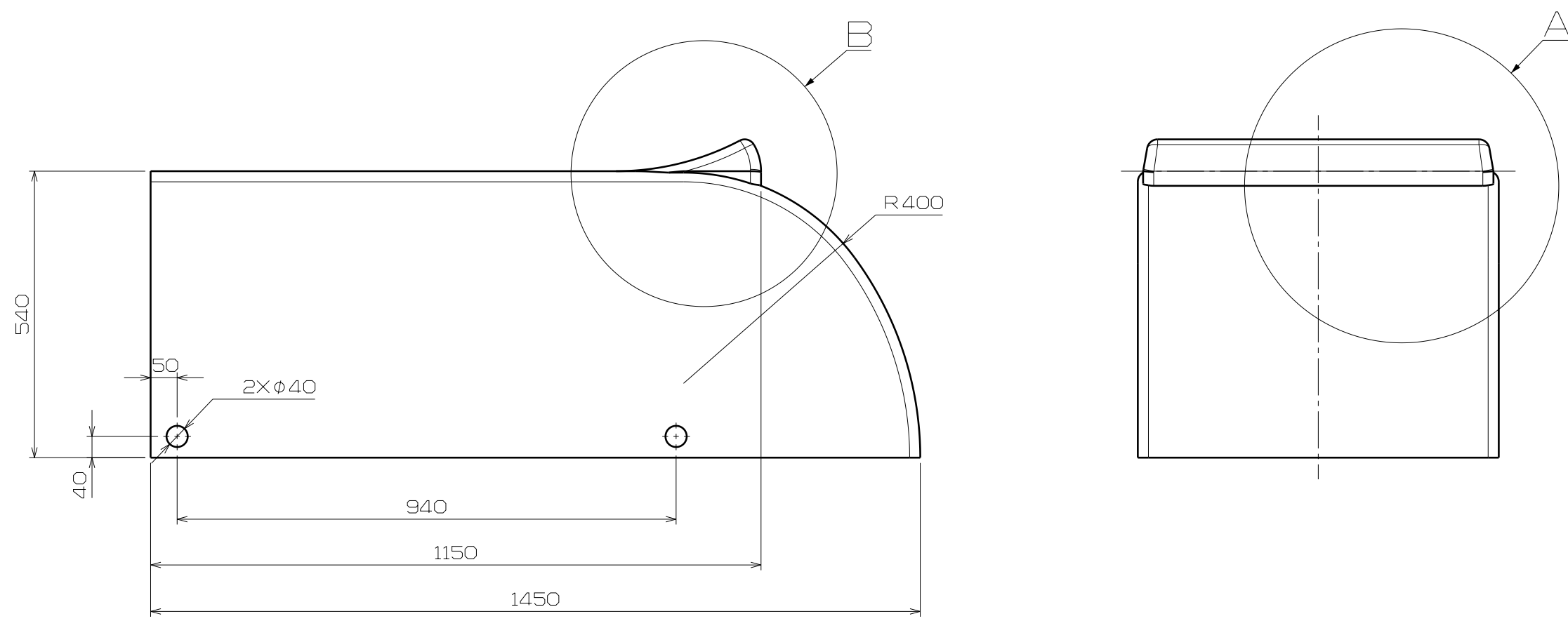
① Body Main_01



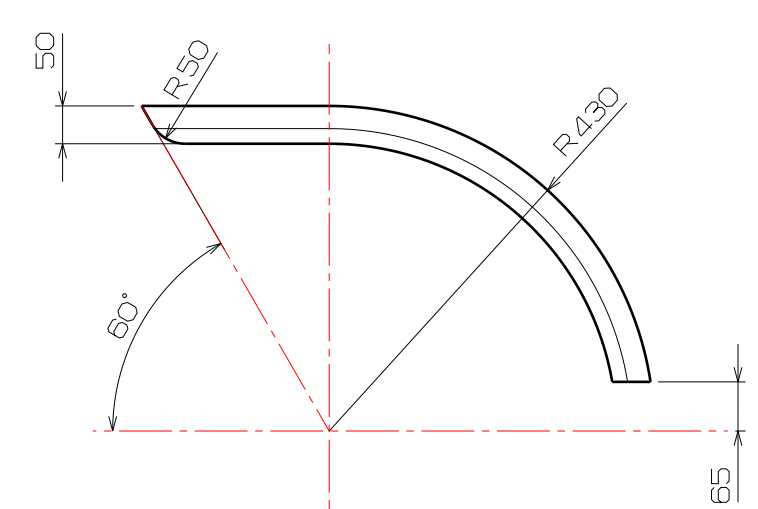
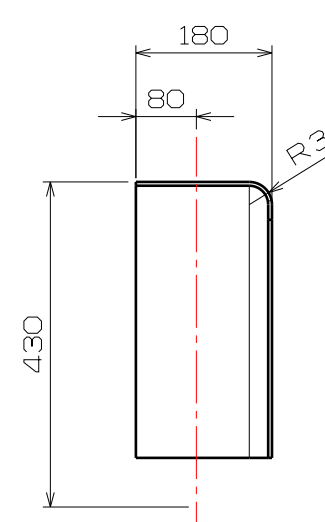
Detail A



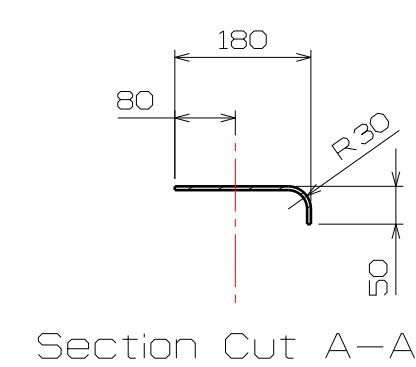
Detail B



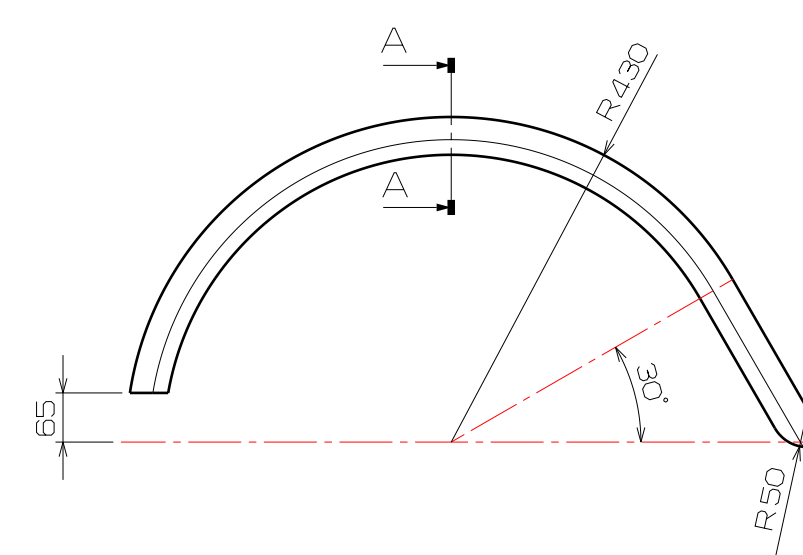
⑥ Left Front Fender



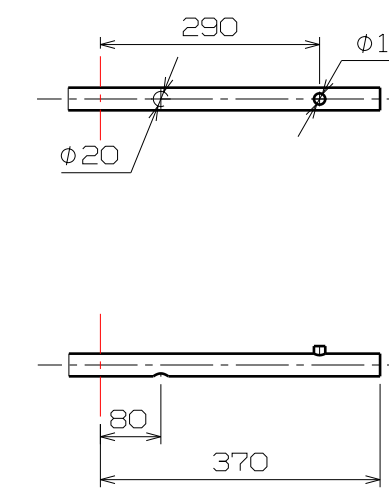
⑧ Left Rear Fender



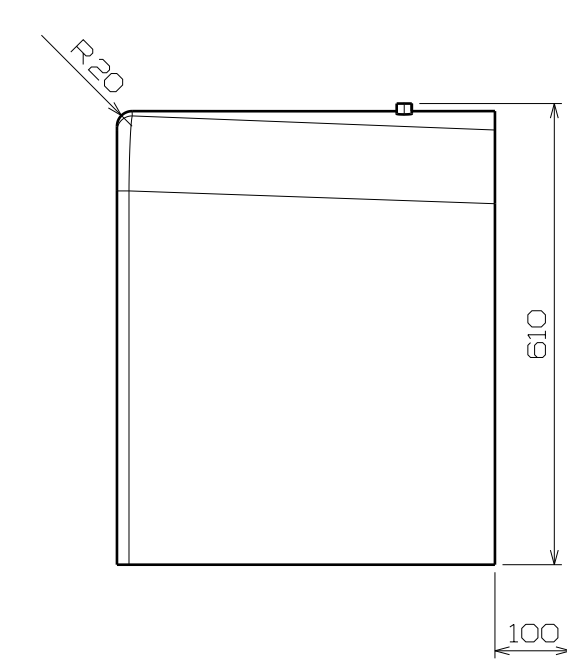
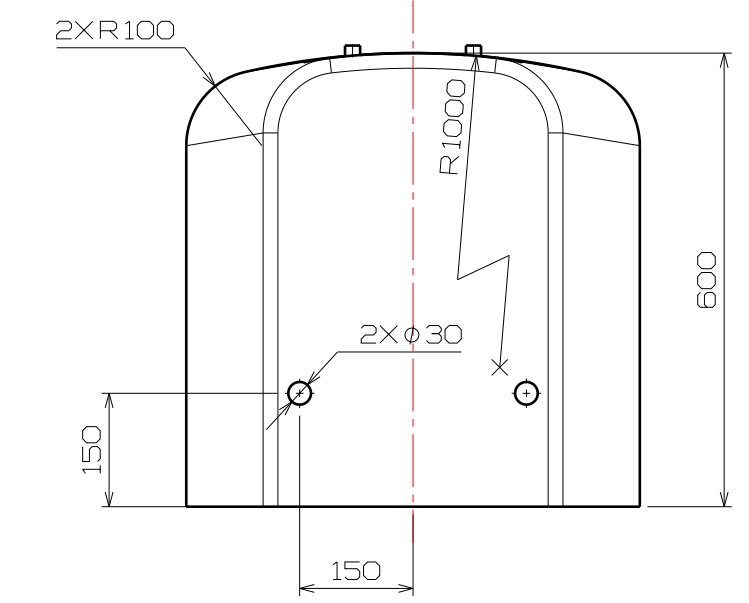
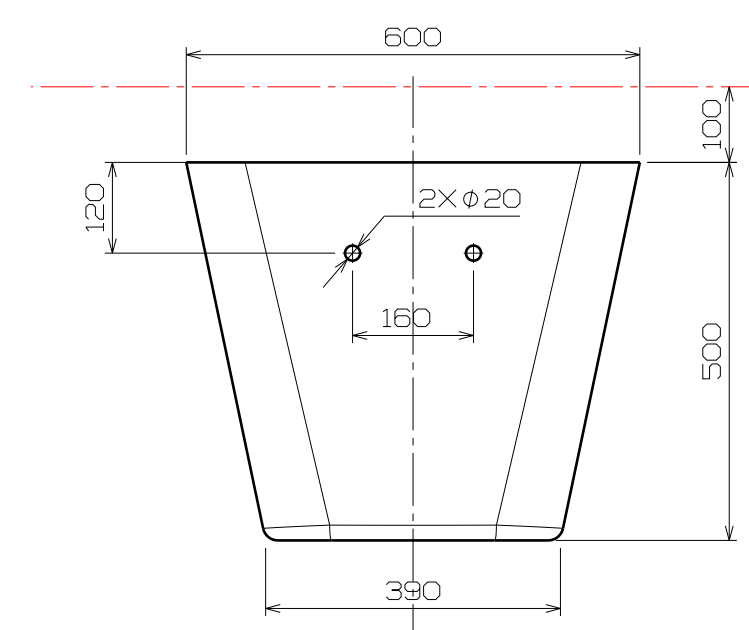
Section Cut A-A



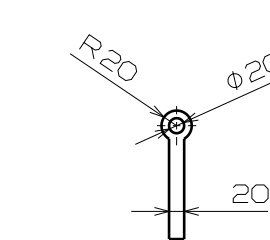
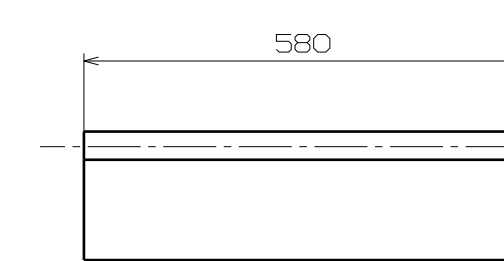
⑪ Light Stand



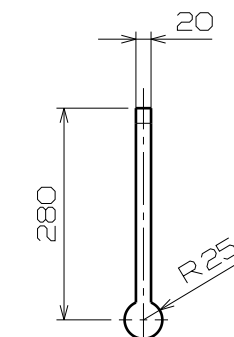
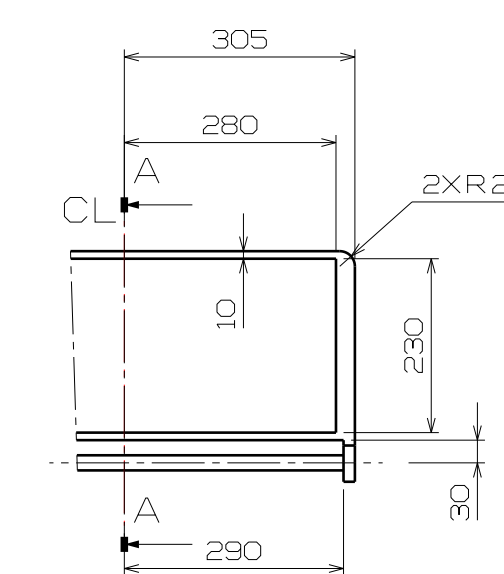
② Body Main_02



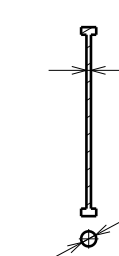
④ Body Main_04



⑩ Front Window

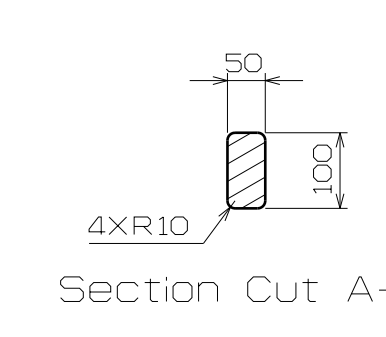
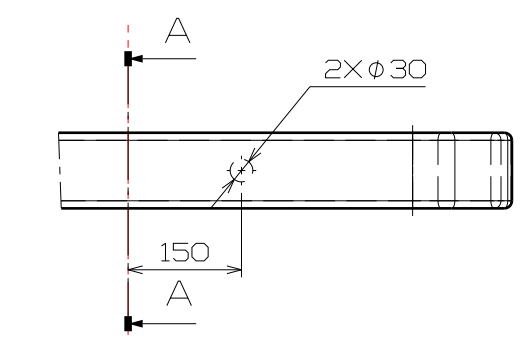
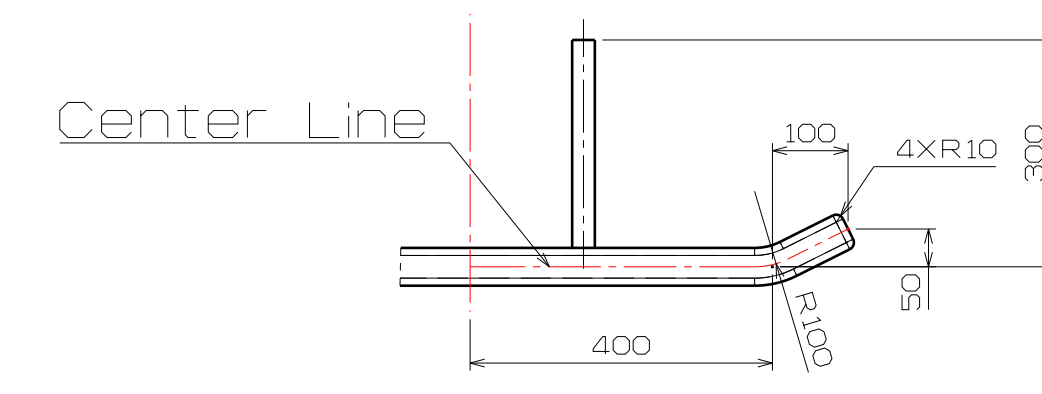


Section Cut A-A



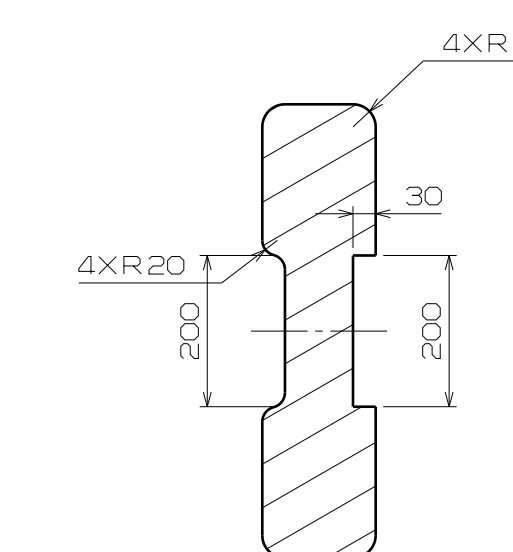
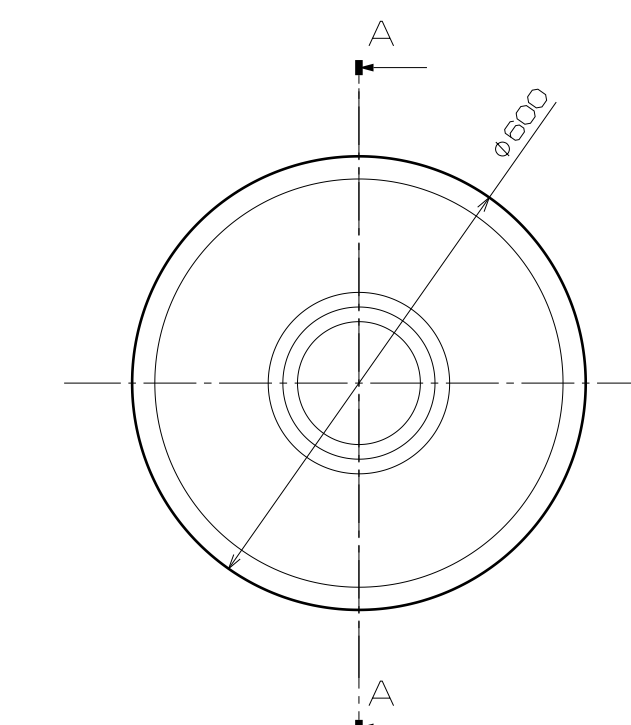
Section Cut A-A

⑤ Bumper



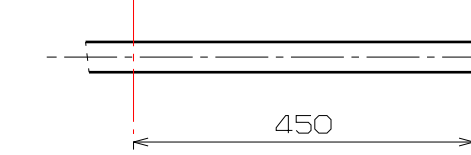
Section Cut A-A

⑭ Tire

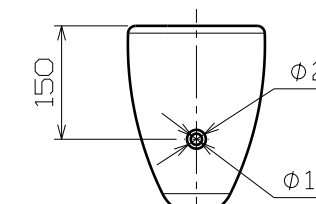
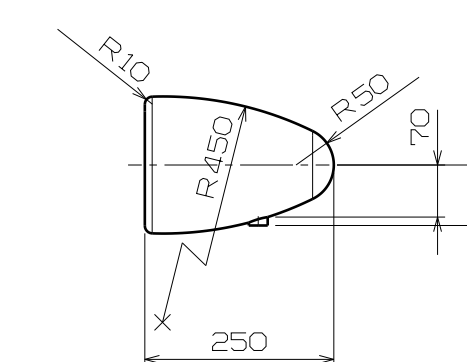
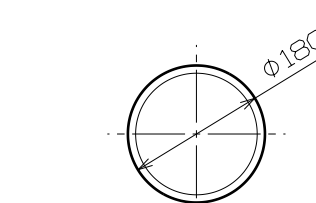


Section Cut A-A

⑬ Axial Part



⑫ Light



Bill of Material: Auto Mobile Assembly

Number	Part Number	Quantity	Type
1	Body Main_01	1	Part
2	Body Main_02	1	Part
3	Body Main_03	1	Part
4	Body Main_04	1	Part
5	Bumper	1	Part
6	Left Front Fender	1	Part
7	Right Front Fender	1	Part
8	Left Rear Fender	1	Part
9	Right Rear Fender	1	Part
10	Front Window	1	Part
11	Light Stand	1	Part
12	Light	2	Part
13	Axial Part	2	Part
14	Tire	4	Part

NOTE

1. Global Scale 1:10
2. All Part Thickness : 5mm
3. Body Main_03 is no-Drawing
4. Left, Right Fender Part is Symmetry