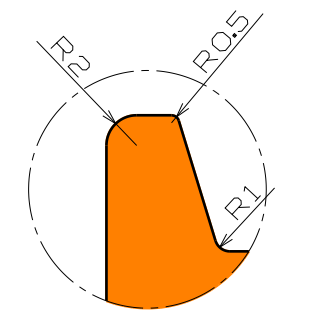


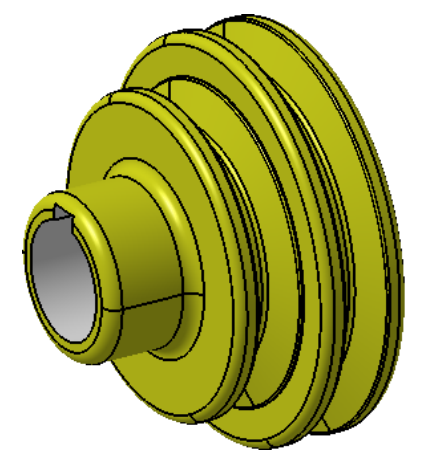
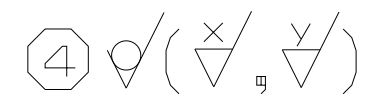
H G F E D C B A

4

4

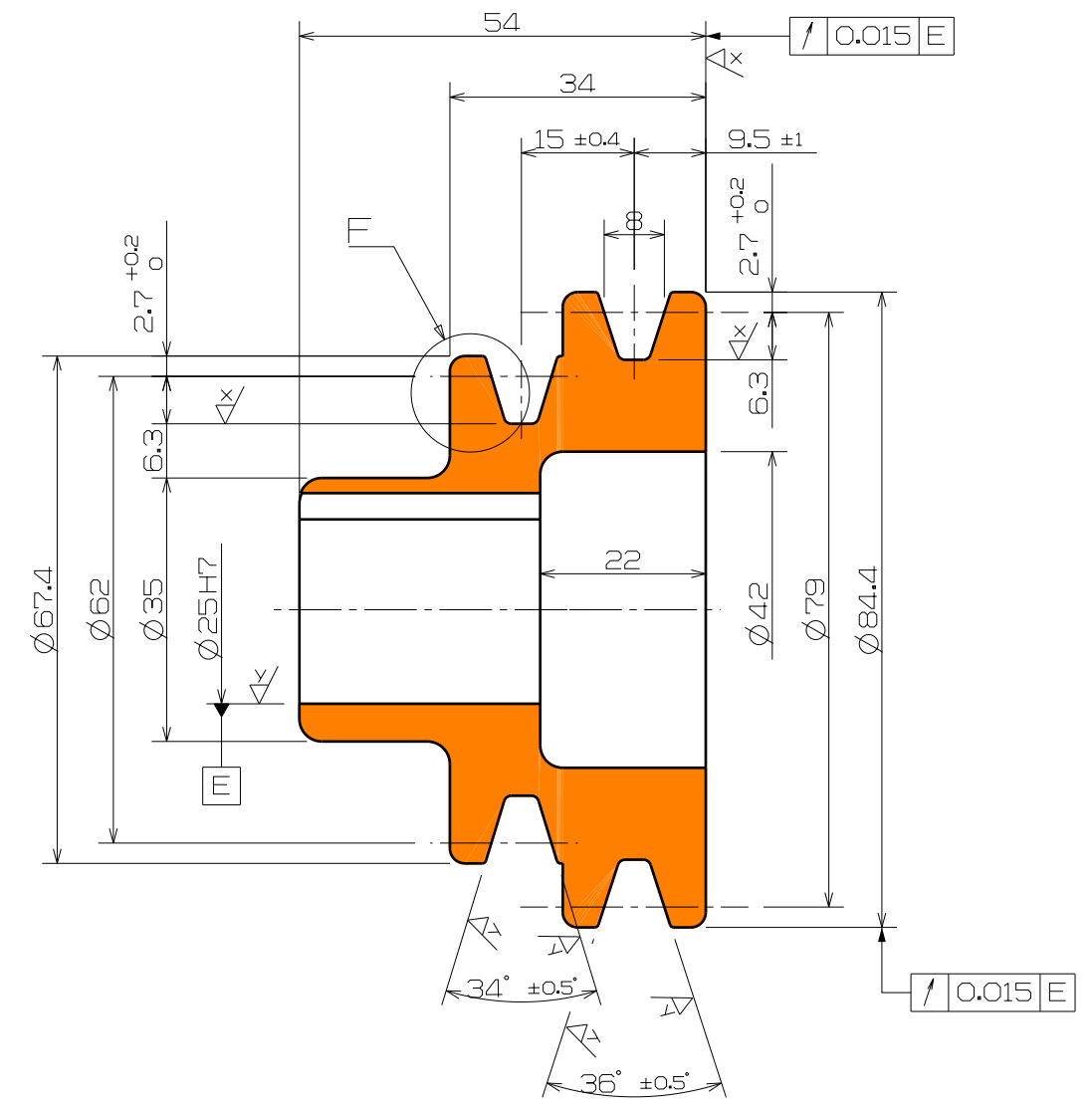
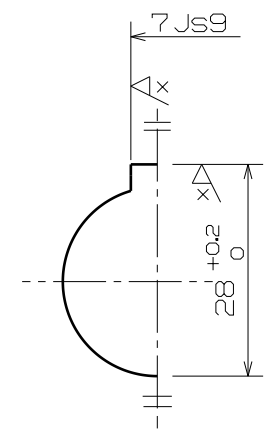


Detail F  
Scale 2:1



3

3



2

2

1

1

H G F E D C B A